

QUALITY PERFORMANCE IN EQUIPMENTS



Buy With Confidence

All Gas & Electrical Equipment's made filled in our equipment's are fully **CE certified** & fully compliant with some of the world's most stringent safety regulations in the world.



KITCHEN EQUIPMENTS HOTEL, RESTAURANT, FAST FOOD, CAFFE & BAKERY



Vision

To serve our customer better, to always be relevant in their business endeavor, and to form a lifelong relationship.

MISSION

To be the preferred kitchen equipment.

Core Values



LEARNING

Always learning and be curious.



QUALITY

Built with heart, empathy and balance.



TEAMWORK

A positive team and family spirit.



COMMITTED

Long term company thinking.



CUSTOMERS

We are customer-obsessed.



Karim Buksh Engineering
www.kbekitchen.com

The largest and most comprehensive commercial kitchen manufacturer in the country. At KBE Kitchen, you are just a click away from us, an online retailer offering kitchen solutions for all your needs by simplifying choices.



ABOUT US

The company was formed in **2005** under the guidance of a former chef gained local & international experience during his working in different countries, **ITALY, GERMANY, FRANCE, SPAIN & Scandinavian Areas**, Having More than **35 Year** experience helped our clients to fabricate their kitchen in to full working one with care and safety, Grown Consistently. Today we serve a large number of private and public Sector clients, our multi-disciplined team provide us expertise in equipment manufacturing and kitchen design.



Muhammad Asif Javed
CEO

We're The Experts in Catering Kitchen equipment Fabrication Design,
Manufacture, Supply and Installation.

- 1-Cooking Range simple commercial,
- 2-Cooking Range domestic,
- 3-Cooking Range Pakistani (2,3,6 & 8)
- 4-Cooking Range continental (2,3,6 & 8)
- 5-Cooking Range Chinese (2,3,6 & 8)
- 6-Heavy Duty Stock Pot
- 7-Hot plate
- 8-Charcoal Grill
- 9-Deep Fryer (single, double)
- 10-Baking Oven
- 11-Under Counter Chiller
- 12-Cold Preparation Table (Pizza, Burger etc.)
- 13-Upright Chiller (single, Double)
- 14-Upright Freezer (single, Double)
- 15-Hot Bain-marie (2,3,6 & 8 Bowls)
- 16-Cold Bain-marie (2,3,6 & 8 Bowls)
- 17-Working Table (Under one shelf, two shelf)
- 18- Food Pickup Table
- 19-Breading Table
- 20-Garbage Table
- 21-Wall hanging Shelves
- 22-Wall Hanging Cabinet
- 23-Wall Hanging Unit
- 24-Sink Hand wash
- 25-Dishwashing Sink (single Bowl, Double Bowl, Three Bowl)
- 26-Drain Grill
- 27-Oil Grease Trap
- 28-wall cladding sheet
- 29- Exhausting Hood (single filter, Double Filter, Without Filter)
- 30-Duct (Exhausting & Fresh Air)
- 31-Exhausting (Blower, Fan) Fresh Air unit (Imported china, Local)

Projects:

We would like to share a few of our most recent examples with you.

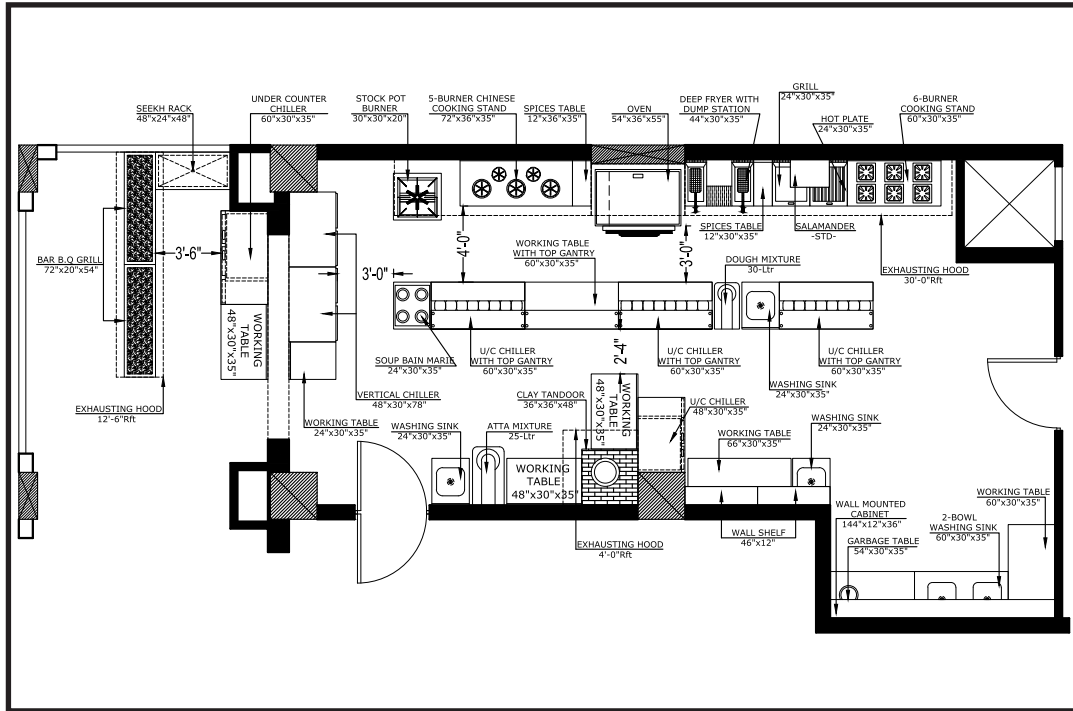


- Restaurant Project
- Banquet Project
- Buffet
- Chinese Kitchen
- Western Kitchen
- Central Kitchen
- School / College / University Canteen
- ★ Cooking School
- ★ Food holding and warming
- ★ Refrigeration & Cold rooms
- ★ Ware washing
- ★ Food Preparation
- ★ Display & Storage

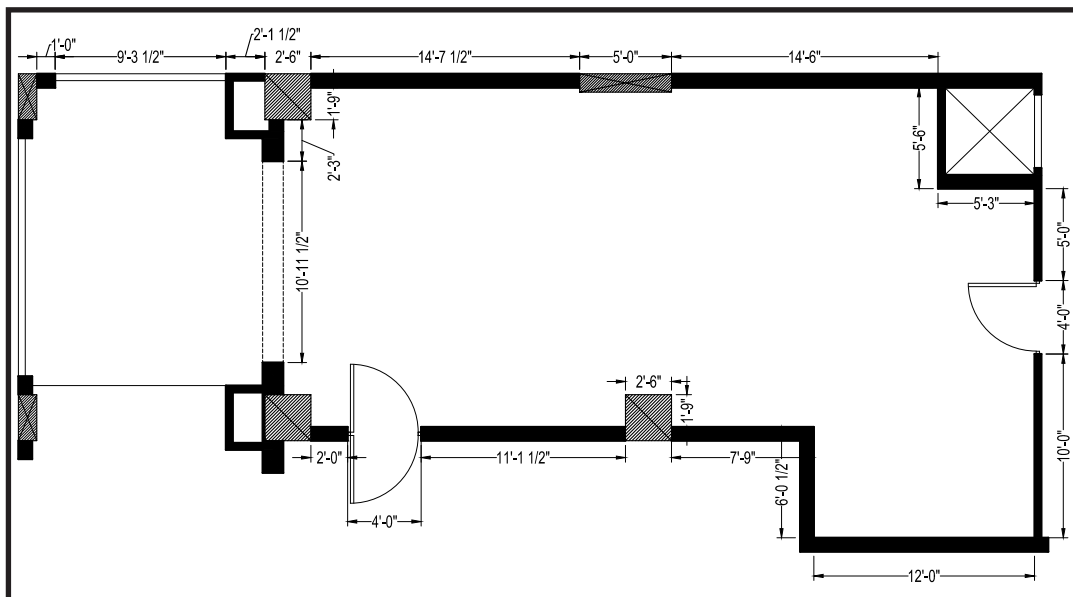
**CHEFS will be your first choice for
Hotel or Restaurant opening**

Kitchen Design Supply & Installation Service

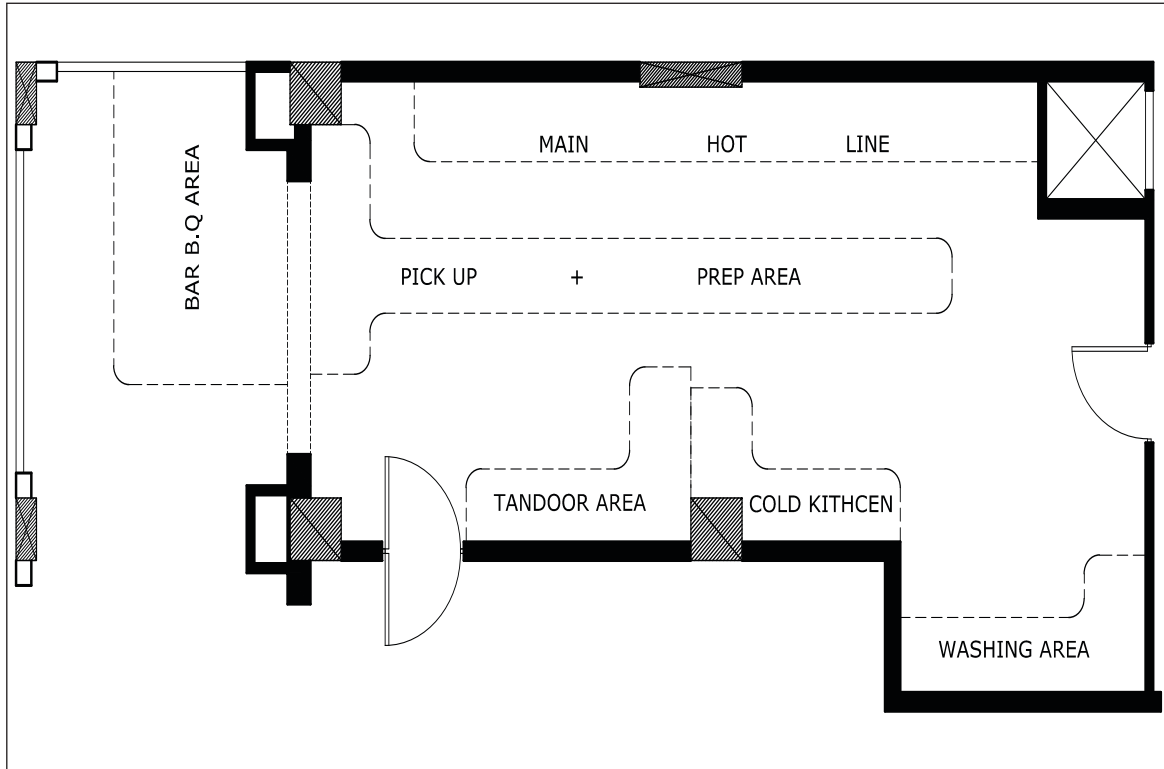
Proposed Kitchen Plan



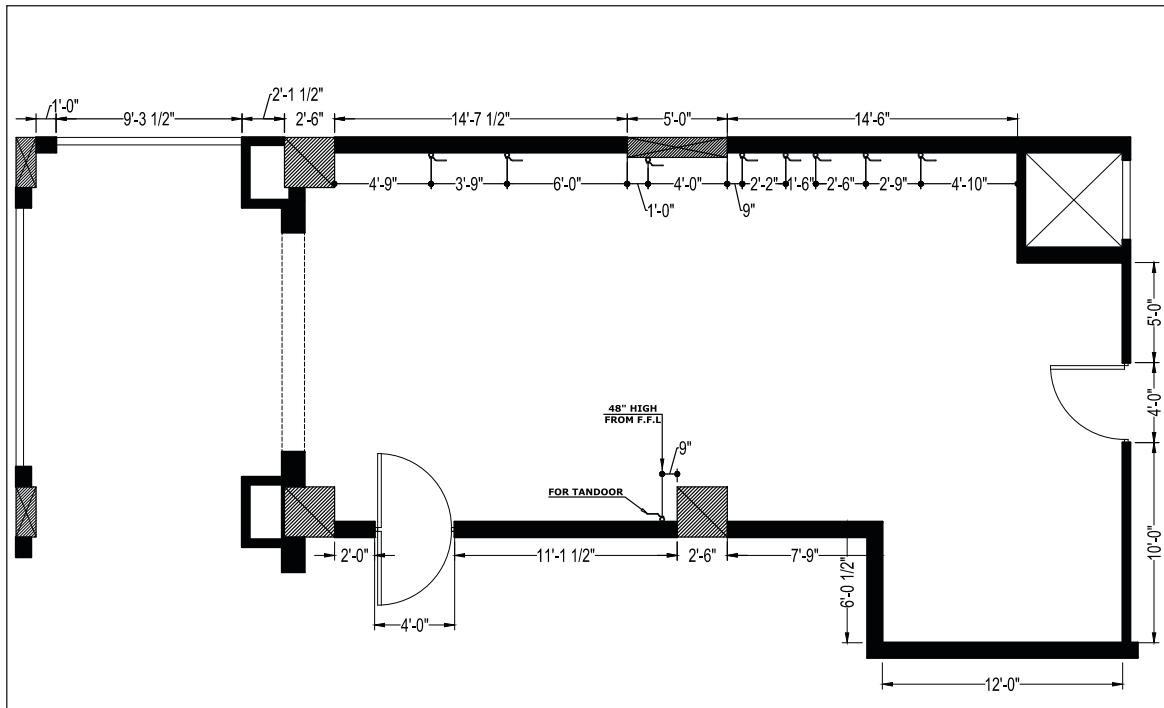
Layout Plan



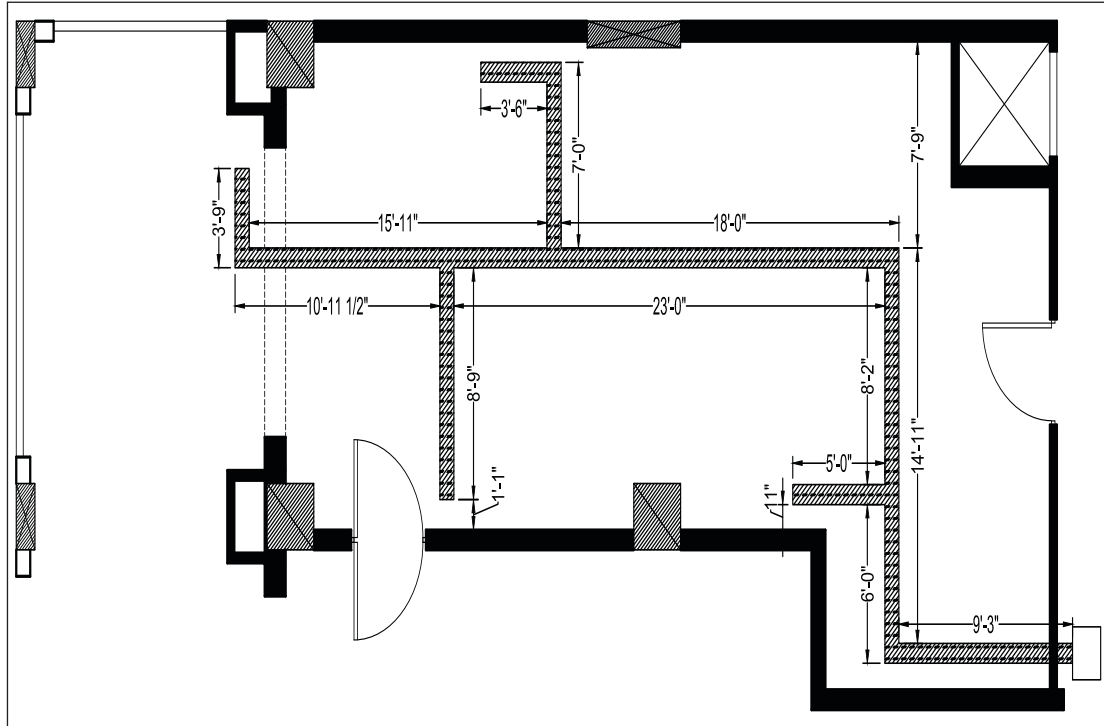
Proposed Kitchen Plan



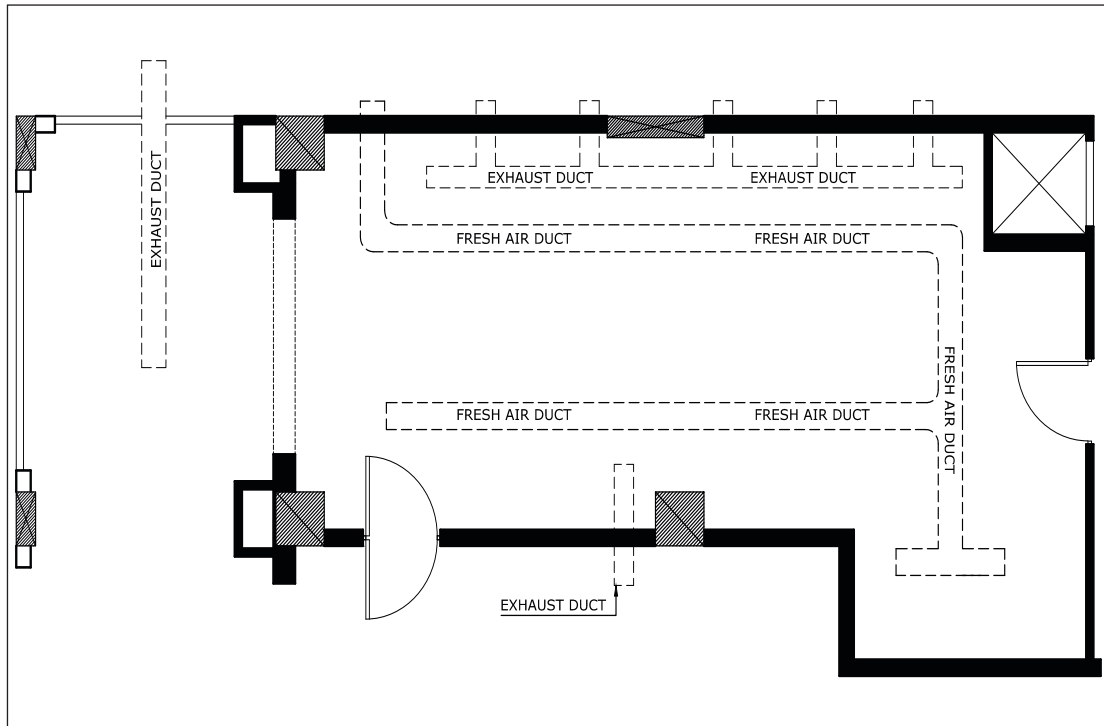
Gas Supply Plan



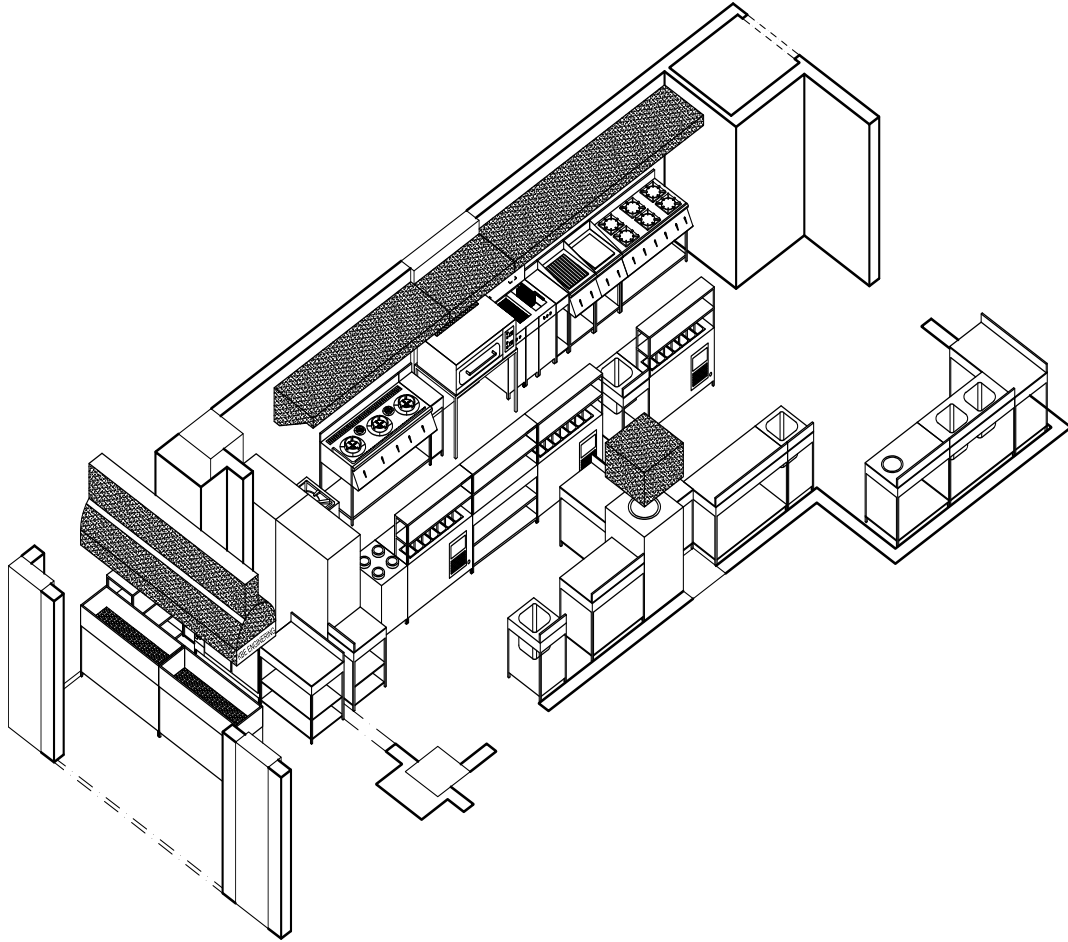
Drain Grill Plan



Exhaust & Fresh Air Ducting Plan



ISO VIEW

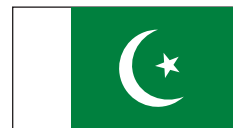


Useful Information

- Terms & Condition
- Privacy Policy
- Delivery
- Return Policy
- Find us on Map
- Working Days / Hours



Monday to Saturday
9:00AM to 05:00PM



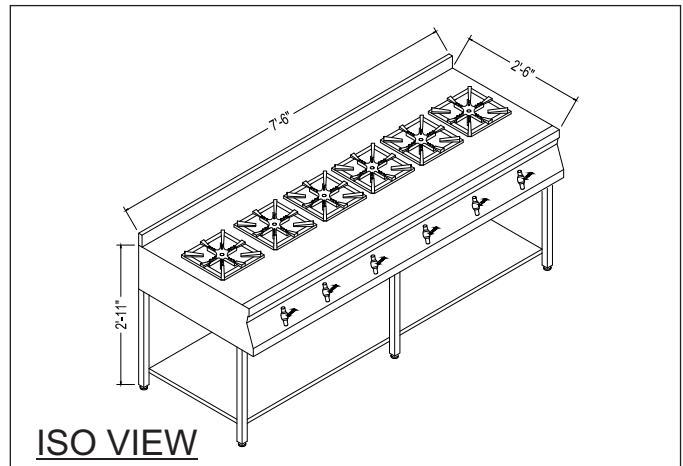
Made In Pakistan



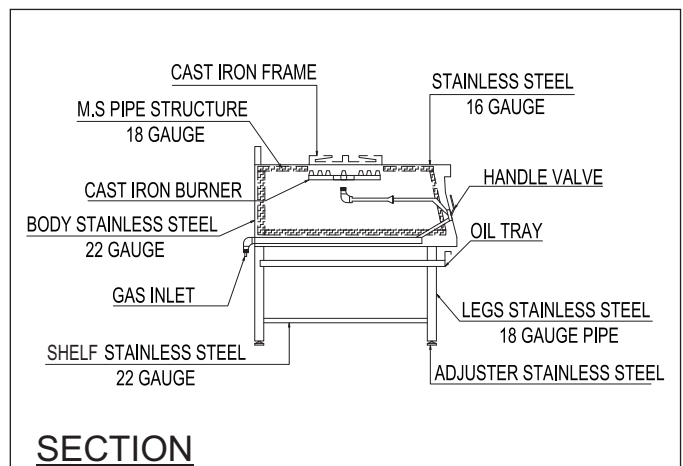
PAKISTANI COOKING RANGE



PAKISTANI COOKING RANGE



ISO VIEW



SECTION

Pakistani Cooking Range works on Gas. It contains 3, 4, 5 & 6 Burners. This Cooking Range is completely made of Stainless Steel, so it is easy to clean.

- 1) Installed Heavy Duty Cast Iron Burner & Frame.
- 2) Material used 201 grade. Thickness Material 16 & 22 Gauge as per Customer Requirement.
- 3) Corners are welded and polished nicely, no sharp edges.
- 4) Installed High Pressure Gas Fitting.
- 5) 1" Adjustable Stainless Steel Legs ensure that your unit is in level and easy to use.

SPECIFICATIONS

Dimensions (inches)	90x30x35
Gas Connection	As per requirement
Gas Type	LPG / Commercial
Heat Exchange Type	Gas Burners

- 👑 BEST QUALITY / LOW PRICES
- 👑 24 / 7 SUPPORT & SERVICE
- 👑 IMMEDIATELY AVAILABLE FROM STOCK
- 👑 TECHNICAL DEPARTMENT & WARRANTY
- 👑 EXCELLENT CUSTOMER SATISFACTION

Stainless steel construction and chrome finishing



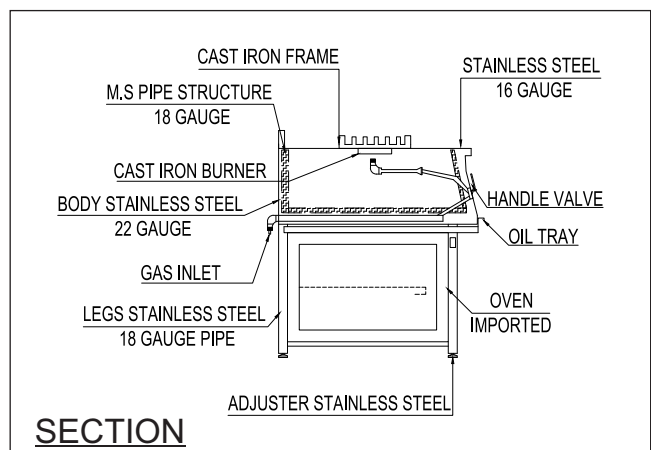
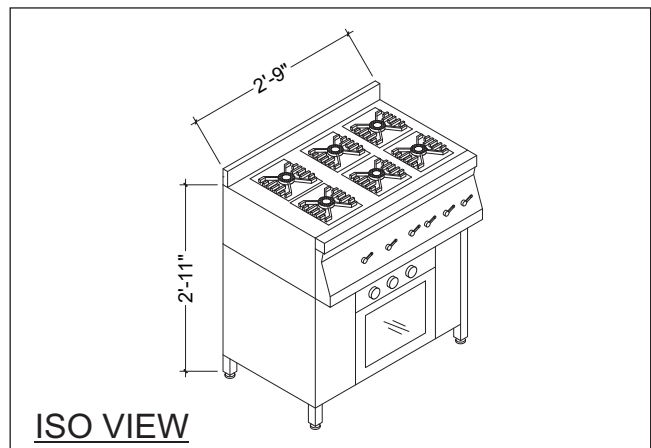
FOUR BURNER COOKING RANGE



DOMESTIC COOKING RANGE UNDER OVEN

Domestic Cooking Range Under Oven works on Gas. It contains 3, 4, 5 & 6 Burners. This Cooking Range is completely made of Stainless Steel, so it is easy to clean.

- 1) Installed Heavy Duty Cast Iron Burner & Frame.
- 2) Material used 201 Grade. Thickness Material 16 & 22 Gauge as per Customer Requirement.
- 3) Corners are welded and polished nicely, no sharp edges.
- 4) Installed High Pressure Gas Fitting.
- 5) 1" Adjustable Stainless Steel Legs ensure that your unit is in level and easy to use.



SPECIFICATIONS

Dimensions (inches)	33x36x35
Gas Connection	As per requirement
Gas Type	LPG / Commercial
Heat Exchange Type	Gas Burners

- 👑 BEST QUALITY / LOW PRICES
- 👑 24 / 7 SUPPORT & SERVICE
- 👑 IMMEDIATELY AVAILABLE FROM STOCK
- 👑 TECHNICAL DEPARTMENT & WARRANTY
- 👑 EXCELLENT CUSTOMER SATISFACTION

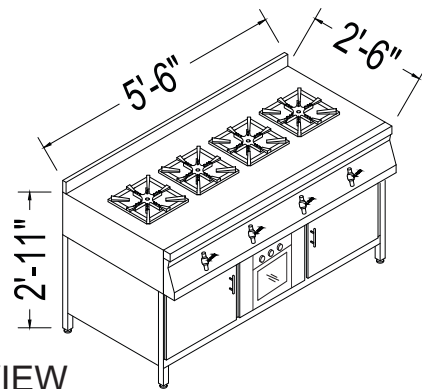
Stainless steel construction and chrome finishing



COOKING RANGE UNDER OVEN



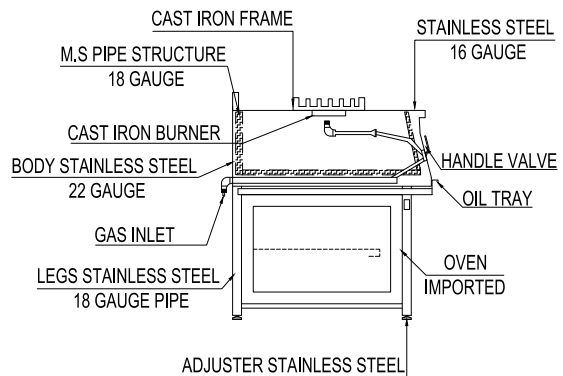
COOKING RANGE UNDER OVEN



ISO VIEW

Cooking Range Under Oven works on Gas. It Contains 3, 4, 5 & 6 Burners. This Cooking Range is completely made of Stainless Steel, so it is easy to clean.

- 1) Installed Heavy Duty Cast Iron Burner & Frame.
- 2) Material used 201 Grade. Thickness Material 16 & 22 Gauge as per Customer Requirement.
- 3) Corners are welded and polished nicely, no sharp edges.
- 4) Installed High Pressure Gas Fitting.
- 5) 1" Adjustable Stainless Steel Legs ensure that your unit is in level and easy to use.



SECTION

SPECIFICATIONS

Dimensions (inches)	66x30x35
Gas Connection	As per requirement
Gas Type	LPG / Commercial
Heat Exchange Type	Gas Burners

- 👑 BEST QUALITY / LOW PRICES
- 👑 24 / 7 SUPPORT & SERVICE
- 👑 IMMEDIATELY AVAILABLE FROM STOCK
- 👑 TECHNICAL DEPARTMENT & WARRANTY
- 👑 EXCELLENT CUSTOMER SATISFACTION

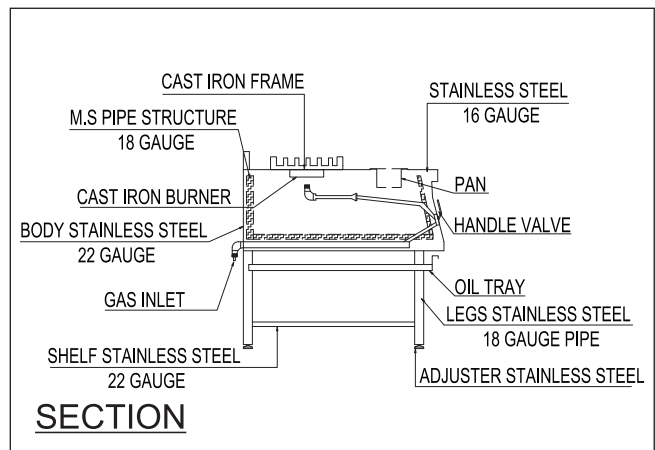
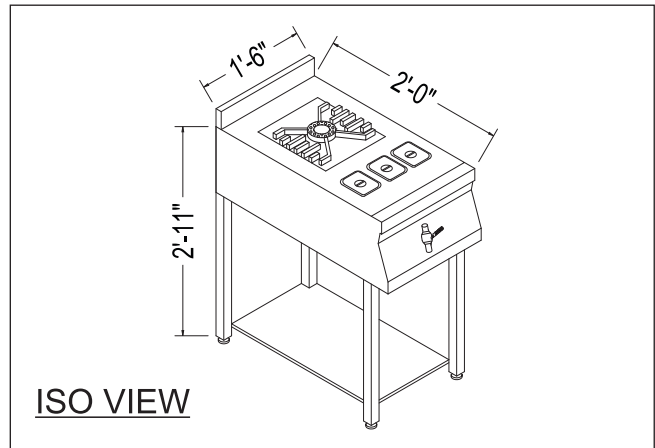
Stainless steel construction and chrome finishing



SINGLE BURNER COOKING RANGE



SINGLE BURNER COOKING RANGE



Cooking Range works on Gas. It contain One Burner. This Cooking Range is completely made of Stainless Steel, so it is easy to clean.

- 1) Installed Heavy Duty Cast Iron Burner & Frame.
- 2) Material used 201 Grade. Thickness Material 16 & 22 Gauge as per Customer Requirement.
- 3) Corners are welded and polished nicely, no sharp edges.
- 4) Installed High Pressure Gas Fitting.
- 5) 1" Adjustable Stainless Steel Legs ensure that your unit is in level and easy to use.

SPECIFICATIONS

Dimensions (inches)	18x24x35
Gas Connection	As per requirement
Gas Type	LPG / Commercial
Heat Exchange Type	Gas Burners

- 👑 BEST QUALITY / LOW PRICES
- 👑 24 / 7 SUPPORT & SERVICE
- 👑 IMMEDIATELY AVAILABLE FROM STOCK
- 👑 TECHNICAL DEPARTMENT & WARRANTY
- 👑 EXCELLENT CUSTOMER SATISFACTION

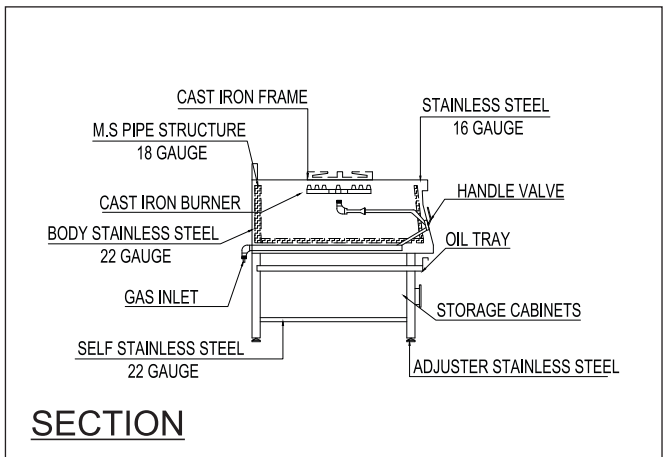
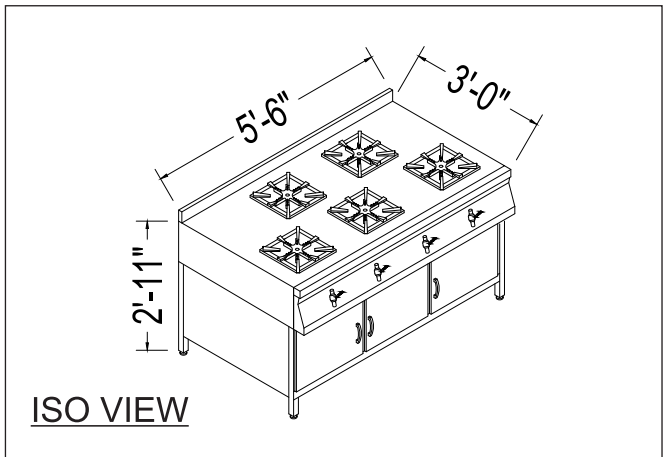
Stainless steel construction and chrome finishing



CONTINENTAL COOKING RANGE



CONTINENTAL COOKING RANGE



Continental Cooking Range works on Gas. It contains 3, 4, 5 & 6 Burners. This Cooking Range is completely made of Stainless Steel, so it is easy to clean.

- 1) Installed Heavy Duty Cast Iron Burner & Frame.
- 2) Material used 201 Grade. Thickness Material 16 & 22 Gauge as per Customer Requirement.
- 3) Corners are welded and polished nicely, no sharp edges.
- 4) Installed High Pressure Gas Fitting.
- 5) 1" Adjustable Stainless Steel Legs ensure that your unit is in level and easy to use.

SPECIFICATIONS

Dimensions (inches)	66x30x35
Gas Connection	As per requirement
Gas Type	LPG / Commercial
Heat Exchange Type	Gas Burners

- 👑 BEST QUALITY / LOW PRICES
- 👑 24 / 7 SUPPORT & SERVICE
- 👑 IMMEDIATELY AVAILABLE FROM STOCK
- 👑 TECHNICAL DEPARTMENT & WARRANTY
- 👑 EXCELLENT CUSTOMER SATISFACTION

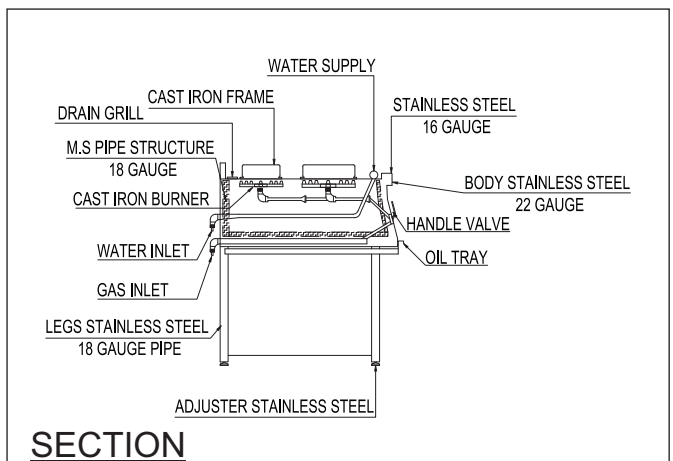
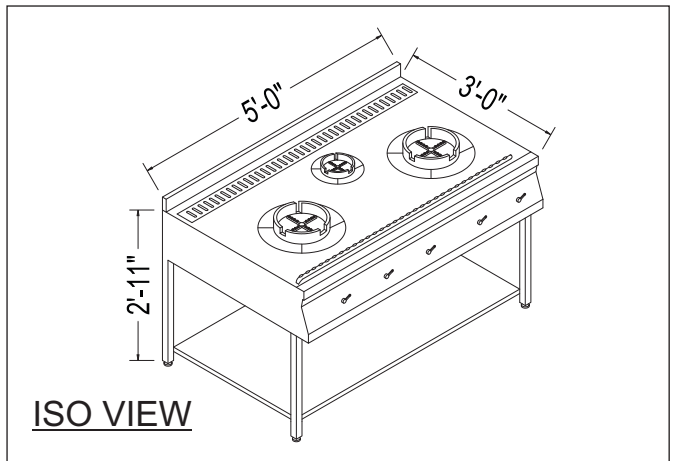
Stainless steel construction and chrome finishing



CHINESE COOKING RANGE



CHINESE COOKING RANGE



Chinese Cooking Range works on Gas. It contains 3, 4, & 5 Burners. This Cooking Range is completely made of Stainless Steel, so it is easy to clean.

- 1) Installed Heavy Duty Cast Iron Burner & Frame.
- 2) Installed Water Inlet Connection.
- 3) Material used 201 Grade. Thickness Material 16 & 22 Gauge as per Customer Requirement.
- 4) Corners are welded and polished nicely, no sharp edges.
- 5) Installed High Pressure Gas Fitting.
- 6) 1" Adjustable Stainless Steel Legs ensure that your unit is in level and easy to use.

SPECIFICATIONS

Dimensions (inches)	60x36x35
Gas Connection	As per requirement
Gas Type	LPG / Commercial
Heat Exchange Type	Gas Burners

- 👑 BEST QUALITY / LOW PRICES
- 👑 24 / 7 SUPPORT & SERVICE
- 👑 IMMEDIATELY AVAILABLE FROM STOCK
- 👑 TECHNICAL DEPARTMENT & WARRANTY
- 👑 EXCELLENT CUSTOMER SATISFACTION

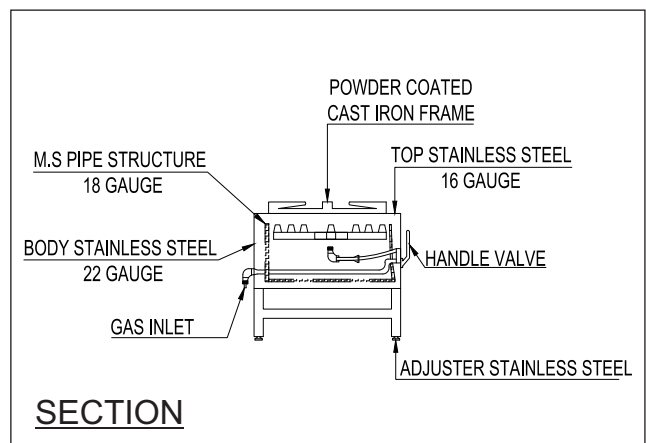
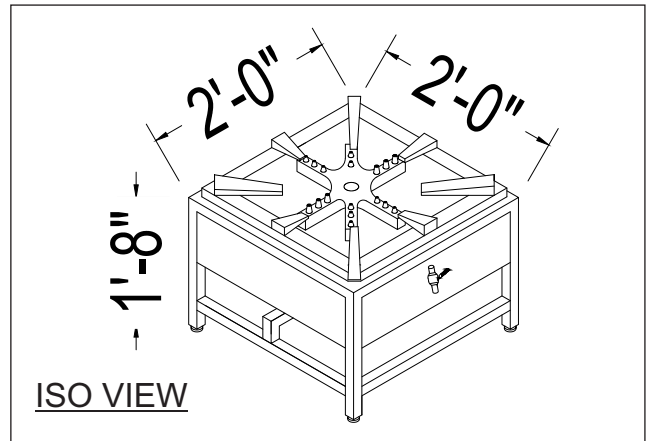
Stainless steel construction and chrome finishing



STOCK POT BURNER



STOCK POT BURNER



Stock Pot Burner works on Gas. It contain Single Heavy Duty Burner. Stock Pot Burner is completely made of Stainless Steel, so it is easy to clean.

- 1) Installed Heavy Duty Cast Iron Burner & Frame.
- 2) Material used 201 Grade. Thickness Material 16 & 22 Gauge as per Customer Requirement.
- 3) Corners are welded and polished nicely, no sharp edges.
- 4) Installed High Pressure Gas Fitting.
- 5) 1" Adjustable Stainless Steel Legs ensure that your unit is in level and easy to use.

SPECIFICATIONS

Dimensions (inches)	24x24x20
Gas Connection	As per requirement
Gas Type	LPG / Commercial
Heat Exchange Type	Gas Burners

- 👑 BEST QUALITY / LOW PRICES
- 👑 24 / 7 SUPPORT & SERVICE
- 👑 IMMEDIATELY AVAILABLE FROM STOCK
- 👑 TECHNICAL DEPARTMENT & WARRANTY
- 👑 EXCELLENT CUSTOMER SATISFACTION

Stainless steel construction and chrome finishing



STOCK POT TWO IN ONE

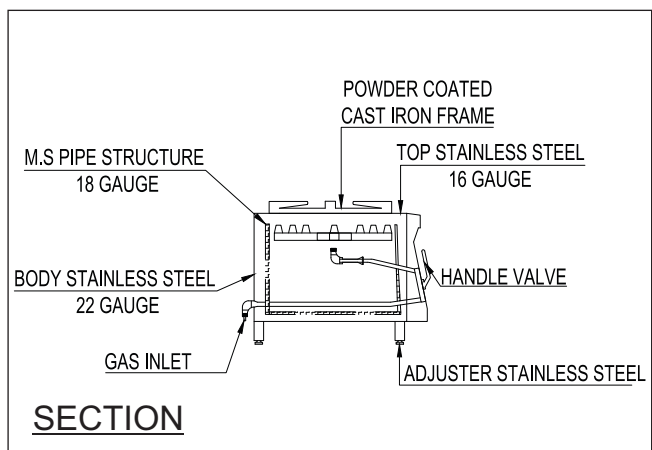
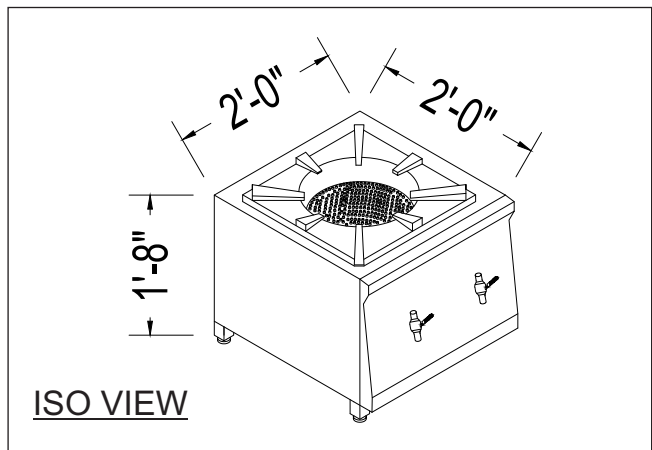


Stock Pot Burner works on Gas. It contain Double Heavy Duty Burner. Stock Pot Burner is completely made of Stainless Steel, so it is easy to clean.

- 1) Installed Heavy Duty Cast Iron Burner & Frame.
- 2) Material used 201 Grade. Thickness Material 16 & 22 Gauge as per Customer Requirement.
- 3) Corners are welded and polished nicely, no sharp edges.
- 4) Installed High Pressure Gas Fitting.
- 5) 1" Adjustable Stainless Steel legs ensure that your unit is in level and easy to use.



STOCK POT TWO IN ONE



SPECIFICATIONS

Dimensions (inches)	24x24x20
Gas Connection	As per requirement
Gas Type	LPG / Commercial
Heat Exchange Type	Gas Burners

- 👑 BEST QUALITY / LOW PRICES
- 👑 24 / 7 SUPPORT & SERVICE
- 👑 IMMEDIATELY AVAILABLE FROM STOCK
- 👑 TECHNICAL DEPARTMENT & WARRANTY
- 👑 EXCELLENT CUSTOMER SATISFACTION

Stainless steel construction and chrome finishing



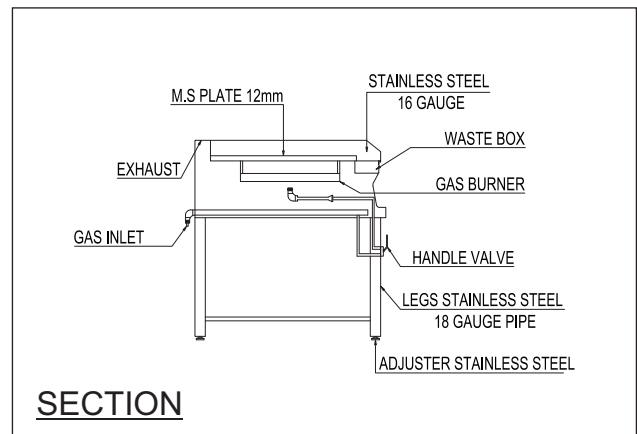
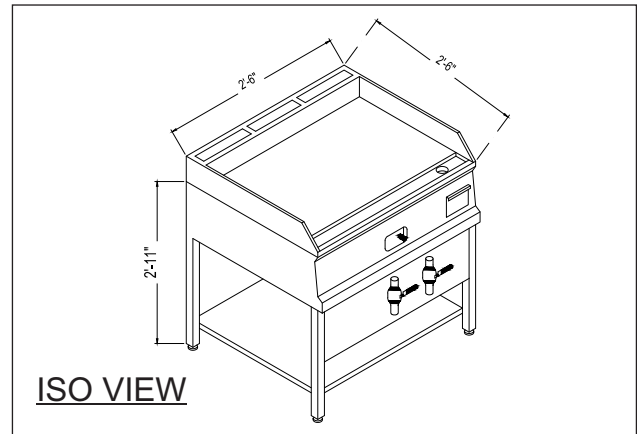
HOT PLATE



HOT PLATE

Hot Plate works on Gas. It Contains Burners & Pilot. It Completely Made Non Magnetic Stainless Steel, so it is easy to clean.

- 1) Hot Plate Polished Nicely in Surface Grinding Machine.
- 2) Hot Plate Thickness 12mm M.S and as per Customer Requirement.
- 3) Material used 201 Grade. Thickness Material 16, 22 Gauge.
- 4) Corners are Welded and Polished Nicely, no sharp edges.
- 5) Installed High Pressure Gas Fitting.
- 6) 1" Adjustable Stainless Steel Legs Ensure that your Unit is Level and allow you to Easily to use and Clean Underneath for a Safe and Sanitary Kitchen.



SPECIFICATIONS

Dimensions (inches)	30x30x35
Gas Connection	As per requirement
Gas Type	LPG / Commercial
Heat Exchange Type	Gas Burners

- 👑 BEST QUALITY / LOW PRICES
- 👑 24 / 7 SUPPORT & SERVICE
- 👑 IMMEDIATELY AVAILABLE FROM STOCK
- 👑 TECHNICAL DEPARTMENT & WARRANTY
- 👑 EXCELLENT CUSTOMER SATISFACTION

Stainless steel construction and chrome finishing



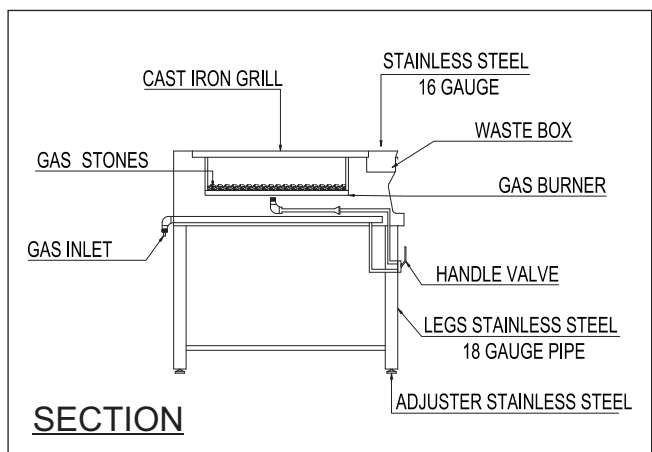
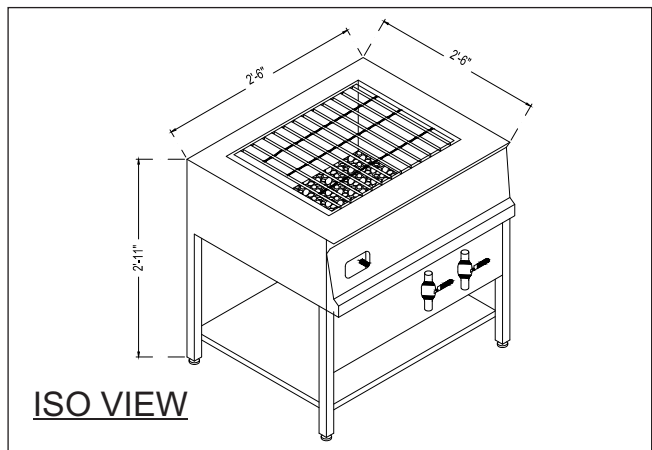
GRILL



GRILL

Grill works on Gas. It contains Burners & Pilot. This Grill is completely made of Cast Iron and Non Magnetic Stainless Steel, so it is easy to clean.

- 1) Imported type Cast Iron Grill.
- 2) Material used 201 Grade .Thickness Material 16, 22 Gauge.
- 3) Corners are Welded and Polished Nicely, no Sharp edges.
- 4) Installed High Pressure Gas Fitting.
- 5) 1" Adjustable Stainless Steel Legs ensure that your unit is level and allow you to easily to use and clean underneath for a safe and Sanitary Kitchen.



SPECIFICATIONS

Dimensions (inches)	30x30x35
Gas Connection	As per requirement
Gas Type	LPG / Commercial
Heat Exchange Type	Gas Burners

- 👑 BEST QUALITY / LOW PRICES
- 👑 24 / 7 SUPPORT & SERVICE
- 👑 IMMEDIATELY AVAILABLE FROM STOCK
- 👑 TECHNICAL DEPARTMENT & WARRANTY
- 👑 EXCELLENT CUSTOMER SATISFACTION

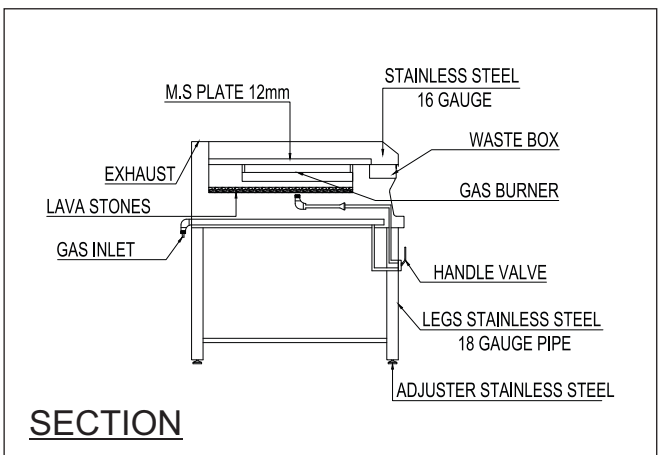
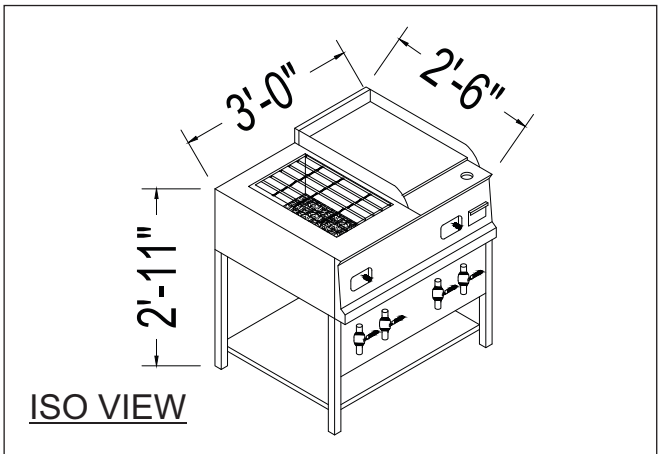
Stainless steel construction and chrome finishing



HOT PLATE WITH GRILL



HOT PLATE WITH GRILL



Hot Plate with grill works on Gas. It Contains Burners & Pilot. This Hot Plate & grill is completely made of Non Magnetic Stainless steel, so it is easy to clean.

- 1) Hot Plate Polished nicely in Surface Grinding Machine.
- 2) Hot Plate thickness 12mm M.S (as per customer requirement) and imported type cast Iron Grill.
- 3) Material used 201 Grade. Thickness Material 16, 22 gauge.
- 4) Corners are welded and polished nicely, No Sharp Edges.
- 5) Installed High Pressure Gas Fitting.
- 6) 1" Adjustable Stainless Steel legs ensure that your Unit is Level and allow you to easily use and clean underneath for a safe and sanitary kitchen.

SPECIFICATIONS

Dimensions (inches)	30x30x35
Gas Connection	As per requirement
Gas Type	LPG / Commercial
Heat Exchange Type	Gas Burners

- 👑 BEST QUALITY / LOW PRICES
- 👑 24 / 7 SUPPORT & SERVICE
- 👑 IMMEDIATELY AVAILABLE FROM STOCK
- 👑 TECHNICAL DEPARTMENT & WARRANTY
- 👑 EXCELLENT CUSTOMER SATISFACTION

Stainless steel construction and chrome finishing



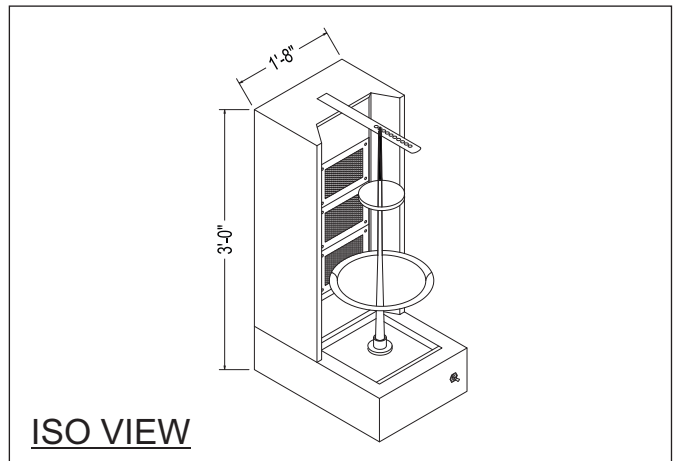
SHAWARMA MACHINE



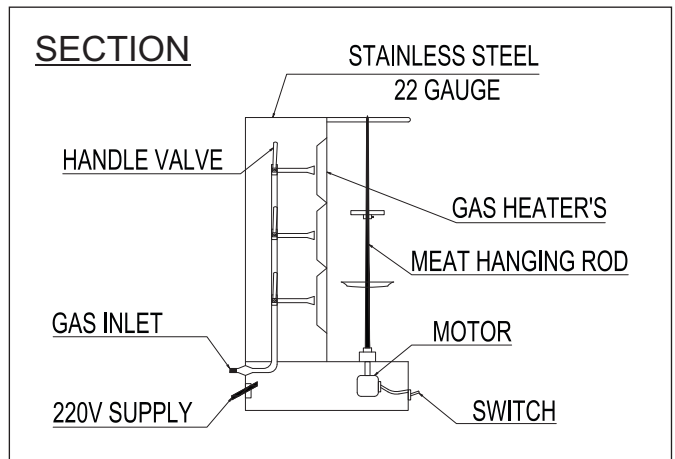
SHAWARMA MACHINE

Shawarma machine works on Gas. It contains Three & Four Gas Heaters. Machine capacity 20 to 25 KG meat. Shawarma Machine heaters have high temperature. We offers Shawarma machine in 2, 3 & 4 heaters. This Shawarma Machine is completely made of stainless steel, so it is easy to clean.

- 1) Material used 201 grade. Thickness material 18 & 22 gauge.
- 2) Corners are welded and polished nicely, no sharp edges.
- 3) Installed high pressure Gas fitting.
- 4) Table Top with stand as per customer requirement.



ISO VIEW



SPECIFICATIONS

Dimensions (inches)	20x24x36
Gas Connection	As per requirement
Gas Type	LPG / Commercial
Heat Exchange Type	Gas Heaters

- 👑 BEST QUALITY / LOW PRICES
- 👑 24 / 7 SUPPORT & SERVICE
- 👑 IMMEDIATELY AVAILABLE FROM STOCK
- 👑 TECHNICAL DEPARTMENT & WARRANTY
- 👑 EXCELLENT CUSTOMER SATISFACTION

Stainless steel construction and chrome finishing

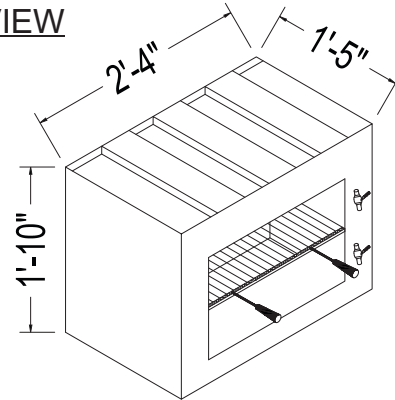


SALAMANDER

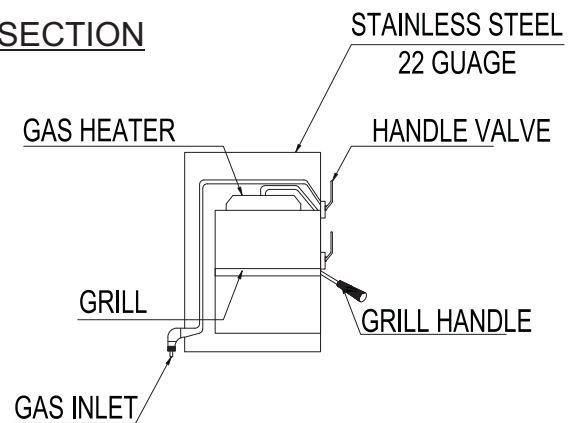


SALAMANDER

ISO VIEW



SECTION



Salamander works on Gas. It contains Double Gas Heaters. Salamander grill has high temperature, overhead grill which is usually used for Toasting, Browning or Hot-holding Dishes at a set temperature supplying heavy duty commercial Gas / LPG.

- 1) Material used 201 Grade. Thickness material 18 & 22 gauge.
- 2) Stainless steel Grill with wooden Handles.
- 3) Corners are welded and polished Nicely, no Sharp Edges.
- 4) Installed high pressure Gas fitting.

SPECIFICATIONS

Dimensions(inches) 28x17x22

As per your requirement

Gas Type LPG

- 👑 BEST QUALITY / LOW PRICES
- 👑 24 / 7 SUPPORT & SERVICE
- 👑 IMMEDIATELY AVAILABLE FROM STOCK
- 👑 TECHNICAL DEPARTMENT & WARRANTY
- 👑 EXCELLENT CUSTOMER SATISFACTION

Stainless steel construction and chrome finishing



DEEP FAT FRYER



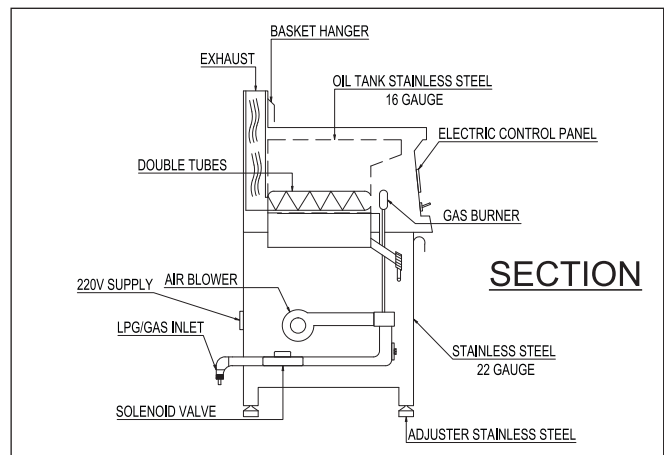
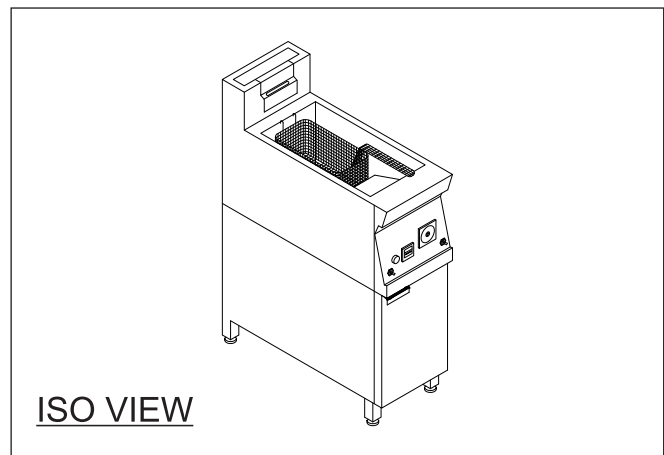
Deep Fat Fryer works on Gas and Electric. It contains Temperature Controller, Timer, and Burners & Pilot. We Offers a Deep Fat Fryer Oil Tank in 2, 3 & 4 tubes. This Deep Fat Fryer is Completely Made of stainless steel, so it is Easy to Clean.

- 1) Material used 201 Grade. Thickness material 18 & 22 gauge.
- 2) Corners are welded and polished nicely, no sharp edges.
- 3) Installed high pressure Gas fitting.
- 4) Installed auto temperature control system.
- 5) 1" adjustable stainless steel legs ensure that your unit is level and allow you to easily to use and clean underneath for a safe and sanitary kitchen or imported wheel set as per customer requirement.

SPECIFICATIONS

Dimensions (inches)	12x30x35(40x30x35)
Gas Connection	As per requirement
Gas Type	LPG / Commercial
Heat Exchange Type	Gas Burners
Water Connection	No
Electric requirement	220
Oil Tank Capacity	16 Itr.
Oil Tank Tube	2
Oil Tank No.	1
Fryer Basket No.	1
Timer	Yes
Thermostat Device	Yes

DEEP FAT FRYER



- 👑 BEST QUALITY / LOW PRICES
- 👑 24 / 7 SUPPORT & SERVICE
- 👑 IMMEDIATELY AVAILABLE FROM STOCK
- 👑 TECHNICAL DEPARTMENT & WARRANTY
- 👑 EXCELLENT CUSTOMER SATISFACTION

Stainless steel construction and chrome finishing



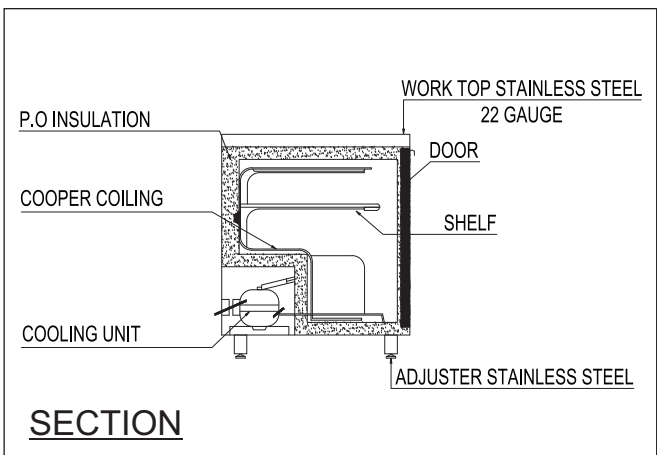
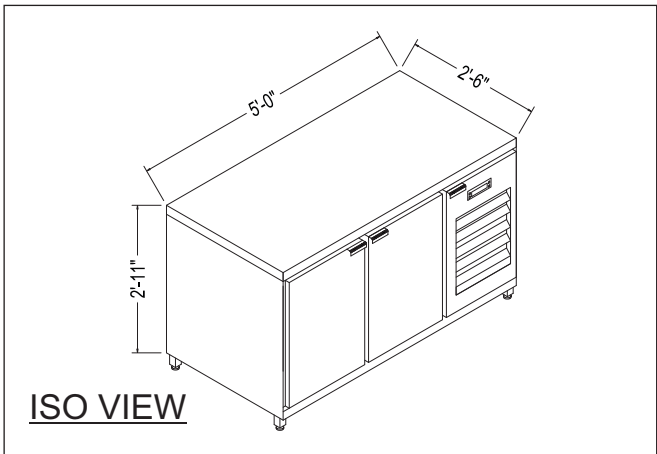
UNDER COUNTER CHILLER



UNDER COUNTER CHILLER

Under Counter Chiller works on electric, used for kitchen storage and food processing. It is convenient to store Meat, Vegetable, Soupes and other items. Its completely made of material Stainless steel, so it is easy to clean.

- 1) Chiller work top stainless steel.
- 2) Material used 201 grade. Thickness material 18 & 22 gauge as per customer requirement.
- 3) Corners are welded and polished nicely, no sharp edges.
- 4) Installed cooling unit give temperature (+10 to -10) as per your requirement.
- 5) Installed auto temperature control system.
- 6) Installed heavy duty wheel's set or 1" adjustable legs as per customer requirement.



SPECIFICATIONS

Dimensions (inches)	60x30x35
Compressor	½ HP
Temperature Controller	STC 100
Fan Motor	25watt
Condenser	½ HP
Body Coiling	3/8

- 👑 BEST QUALITY / LOW PRICES
- 👑 24 / 7 SUPPORT & SERVICE
- 👑 IMMEDIATELY AVAILABLE FROM STOCK
- 👑 TECHNICAL DEPARTMENT & WARRANTY
- 👑 EXCELLENT CUSTOMER SATISFACTION

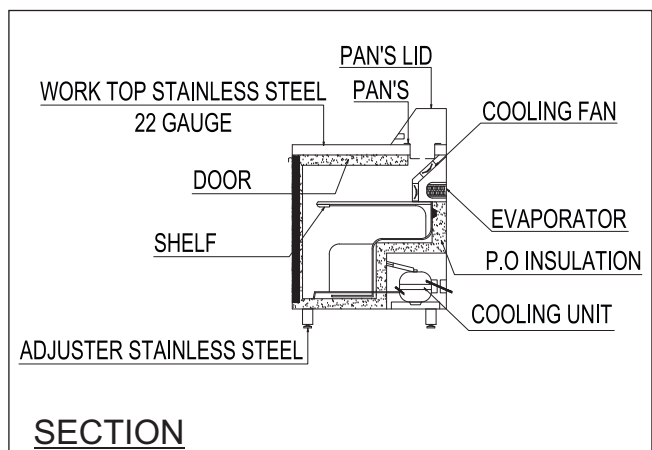
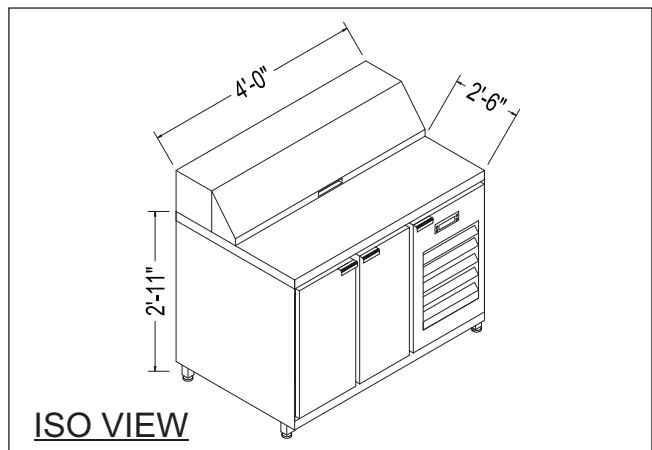
Stainless steel construction and chrome finishing



PREP TABLE UNDER COUNTER CHILLER



PREP TABLE UNDER COUNTER CHILLER



Prep Table Under Counter Chiller works on electric, used for kitchen storage and food processing. It is convenient to store Meat, Vegetable, Souases and other items. Its completely made of material Stainless steel, so it is easy to clean.

- 1) Chiller work top stainless steel.
- 2) Material used 201 grade. Thickness material 18 & 22 gauge as per customer requirement.
- 3) Corners are welded and polished nicely, no sharp edges.
- 4) Installed cooling unit give temperature (-0 to +10) as per your requirement.
- 5) Installed auto temperature control system.
- 6) Installed heavy duty wheel's set or 1" adjustable legs as per customer requirement.

SPECIFICATIONS

Dimensions (inches)	48x30x35
Compressor	½ HP
Temperature Controller	STC 100
Fan Motor	25watt
Condenser	½ HP
Evaporator	

- 👑 BEST QUALITY / LOW PRICES
- 👑 24 / 7 SUPPORT & SERVICE
- 👑 IMMEDIATELY AVAILABLE FROM STOCK
- 👑 TECHNICAL DEPARTMENT & WARRANTY
- 👑 EXCELLENT CUSTOMER SATISFACTION

Stainless steel construction and chrome finishing



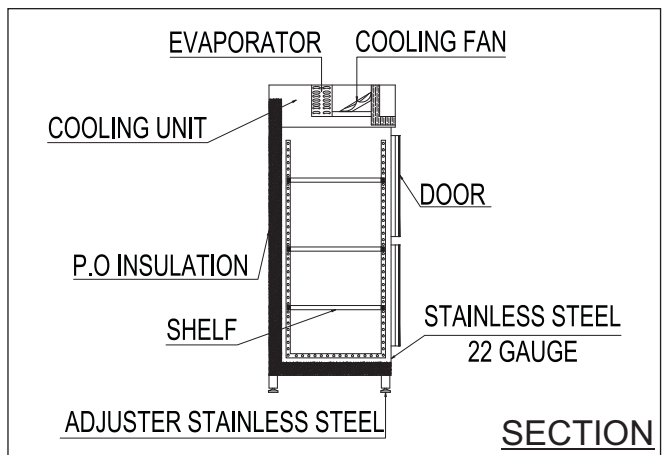
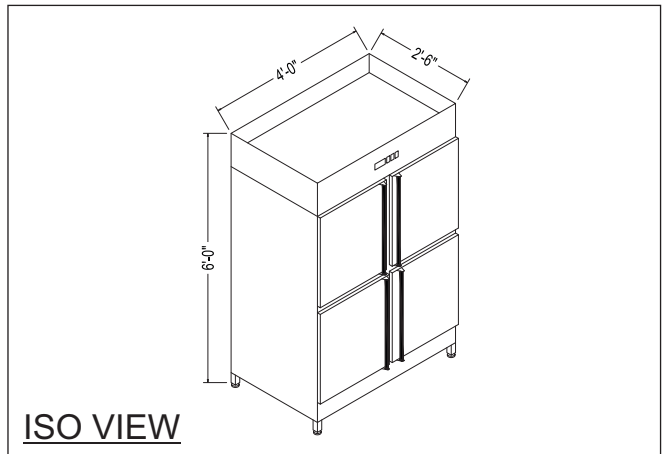
UPRIGHT CHILLER



UPRIGHT CHILLER

UP Right Chiller works on Electric, Used for kitchen Storage and Food Processing. It is Convenient to store Meat, Vegetable, Souces and other items. It's Completely Made of Stainless steel, so it is easy to clean.

- 1) Single Door & Double Door as per Customer Requirement.
- 2) Material used 201 Grade, Thickness material 18, 22 Gauge as per customer Requirement.
- 3) Corners are Welded and Polished Nicely, No sharp edges.
- 4) Installed cooling unit give temperature (+10 to -18) as per your requirement.
- 5) Installed auto temperature control system.
- 6) Installed heavy duty MS wheel's set.



SPECIFICATIONS

Dimensions (inches)	48x30x84
Compressor	½ HP
Temperature Controller	STC 100
Fan Motor	25watt
Condenser	½ HP
Body Coiling	3/8

- 👑 BEST QUALITY / LOW PRICES
- 👑 24 / 7 SUPPORT & SERVICE
- 👑 IMMEDIATELY AVAILABLE FROM STOCK
- 👑 TECHNICAL DEPARTMENT & WARRANTY
- 👑 EXCELLENT CUSTOMER SATISFACTION

Stainless steel construction and chrome finishing



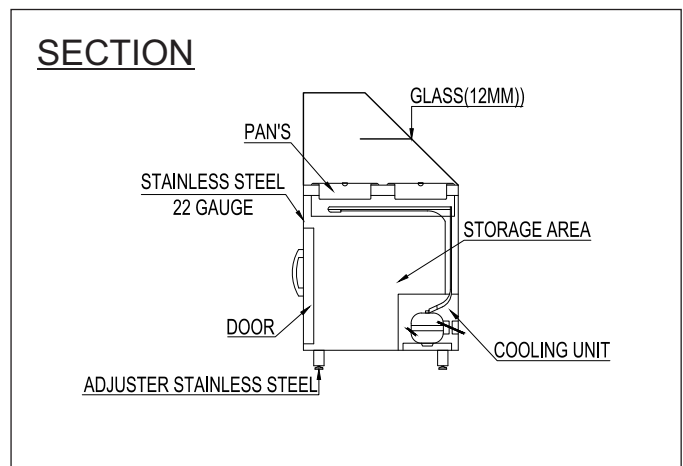
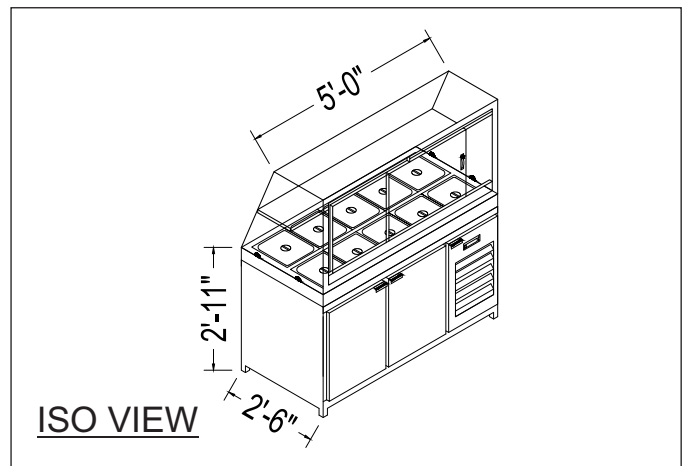
COLD BAIN MARIE



COLD BAIN MARIE

Cold Bain Marie works on Electric. It's completely made of Material Stainless steel, so it is easy to clean.

- 1) Material used 201 grade .Thickness Material 18, 22 Gauge as Per Customer Requirement.
- 2) Corners are Welded and Polished Nicely, No sharp Edges.
- 3) Installed Cooling Unit Give Temperature (+10 to +2)As Per your Requirement.
- 4) Installed Auto Controller System.
- 5) Glass Install as Per Customer requirement.
- 6) Installed Heavy Duty Imported wheel's set.



SPECIFICATIONS

Dimensions (inches)	60x30x35
Compressor	½ HP
Temperature Controller	STC 100
Fan Motor	25watt
Condenser	½ HP
Body Coiling	3/8
Power	Electric
Voltage	220/240V
Frequency	50Hz
No of Pans	6

- 👑 BEST QUALITY / LOW PRICES
- 👑 24 / 7 SUPPORT & SERVICE
- 👑 IMMEDIATELY AVAILABLE FROM STOCK
- 👑 TECHNICAL DEPARTMENT & WARRANTY
- 👑 EXCELLENT CUSTOMER SATISFACTION

Stainless steel construction and chrome finishing



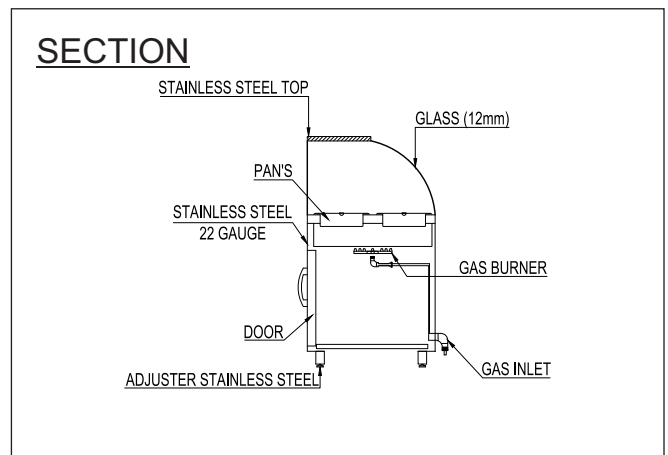
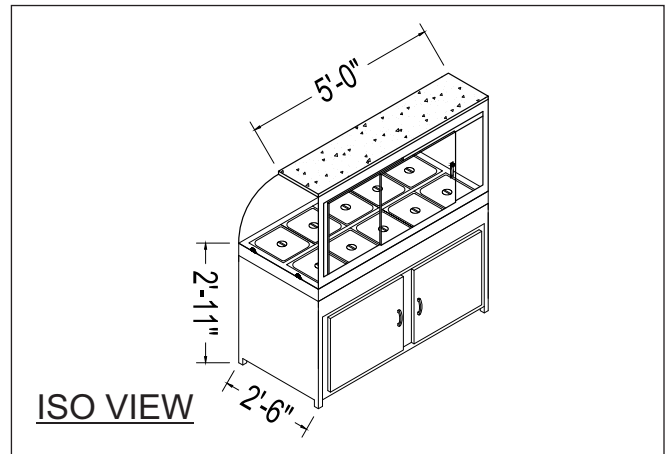
HOT BAIN MARIE



Hot Bain Marie works on Gas / Electric. It's completely made of material Stainless steel, so it is easy to clean.

- 1) Material used 201 Grade .Thickness Material 18, 22 Gauge as per customer Requirement.
- 2) Corners are Welded and Polished Nicely, No Sharp Edges.
- 3) Installed High Pressure Gas Fitting. If Electric Hot Bain Marie Installed Auto Temperature Controller System. As per Customer Requirement.
- 4) Glass Install as per Customer Requirement.
- 5) Installed Heavy Duty Imported wheel's set.

HOT BAIN MARIE



SPECIFICATIONS

Dimensions (inches)	60x30x35
Voltage	220/240V
Power	Electric / Gas
Frequency	50Hz
No of Pans	6

- 👑 BEST QUALITY / LOW PRICES
- 👑 24 / 7 SUPPORT & SERVICE
- 👑 IMMEDIATELY AVAILABLE FROM STOCK
- 👑 TECHNICAL DEPARTMENT & WARRANTY
- 👑 EXCELLENT CUSTOMER SATISFACTION

Stainless steel construction and chrome finishing



WORKING TABLE



Working Table used in kitchen for Meat and Vegetable cutting and Food Processing. It's completely made of material Stainless steel, so it is easy to clean.

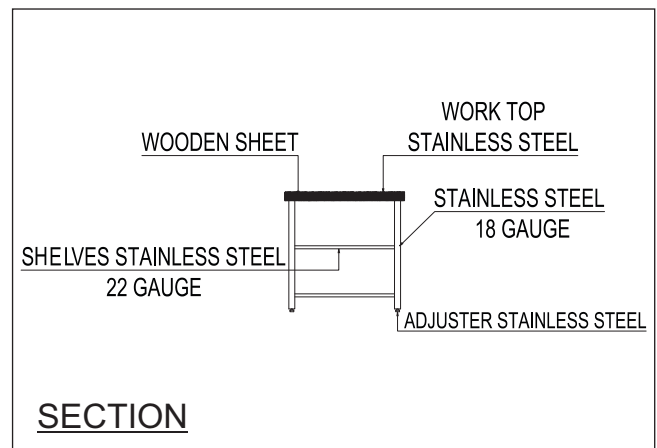
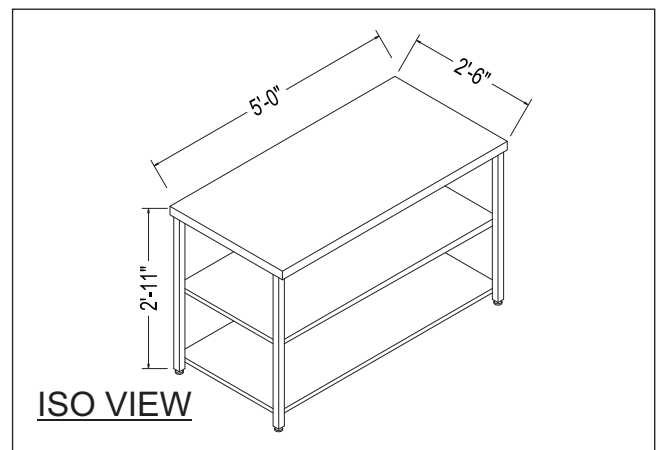
- 1) Worktable top stainless steel.
- 2) Material used 201 Grade. Thickness Material 18, 22 Gauge as per customer requirement.
- 3) Corners are welded and polished nicely, no sharp edges.
- 4) Soundproof table top underside wooden sheet used.
- 5) 1" adjustable Stainless steel legs ensure that your unit is in level and easy to use.

SPECIFICATIONS

Dimensions (inches) 60x30x35
As Per Your Requirement



WORKING TABLE



- 👑 BEST QUALITY / LOW PRICES
- 👑 24 / 7 SUPPORT & SERVICE
- 👑 IMMEDIATELY AVAILABLE FROM STOCK
- 👑 TECHNICAL DEPARTMENT & WARRANTY
- 👑 EXCELLENT CUSTOMER SATISFACTION

Stainless steel construction and chrome finishing

55/A Infantry Road, Dharampura, Lahore, Pakistan.



TABLE UNDER CABINET



TABLE UNDER CABINET

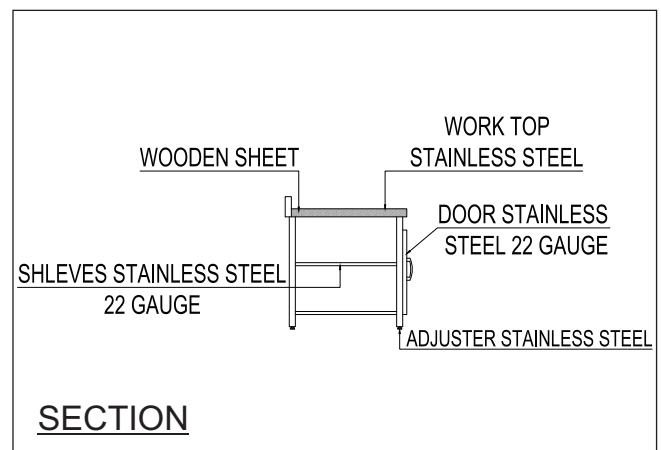
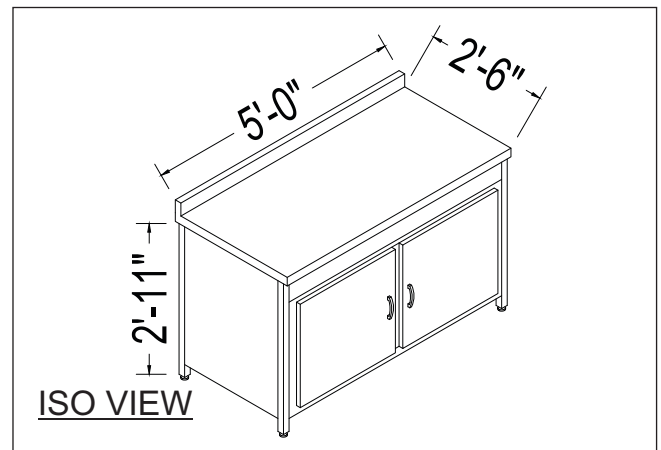


Table Under cabinet used in kitchen. You can keep spices, dishes or other small items from cutlery your work space with drawers, Sliding doors and shelves. Using this cabinet all your items in yours easy reach. Its completely made of material Stainless steel, so it is easy to clean.

- 1) Worktable top stainless steel.
- 2) Material used 201 grade. Thickness material 18 & 22 gauge as per customer requirement.
- 3) Corners are welded and polished nicely, no sharp edges.
- 4) Soundproof table top underside wooden sheet used.
- 5) 1" Stainless steel legs with adjusters ensure that your unit is in level and easy to use.

SPECIFICATIONS

Dimensions (inches) 60x30x35

- 👑 BEST QUALITY / LOW PRICES
- 👑 24 / 7 SUPPORT & SERVICE
- 👑 IMMEDIATELY AVAILABLE FROM STOCK
- 👑 TECHNICAL DEPARTMENT & WARRANTY
- 👑 EXCELLENT CUSTOMER SATISFACTION

Stainless steel construction and chrome finishing

55/A Infantry Road, Dharampura, Lahore, Pakistan.



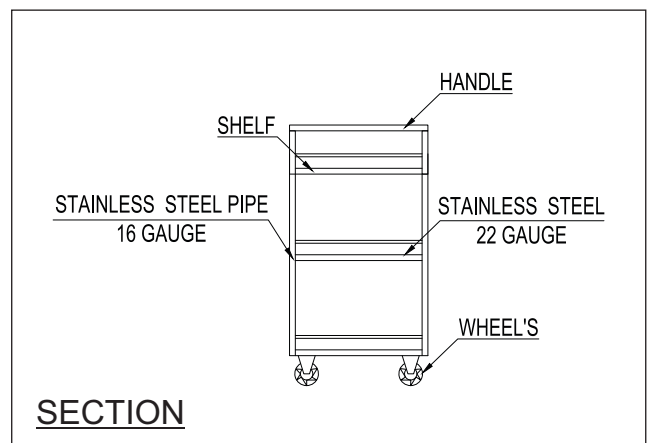
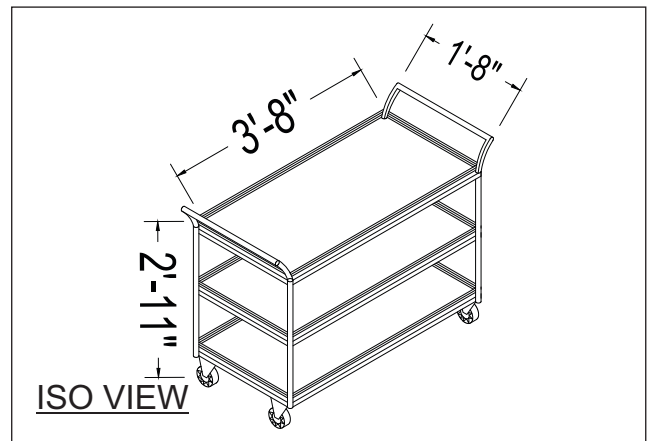
SERVING TROLLEY



Serving Trolley used in hotels and restaurant's for serving food. Its completely made of material Stainless steel, so it is easy to clean.

- 1) Material used 201 grade. Thickness material 18 & 22 gauge as per customer requirement.
- 2) Corners are welded and polished nicely, no sharp edges.
- 3) MS wheel set installed.

SERVING TROLLEY



SPECIFICATIONS

Dimensions (inches)	30x30x35
Gas Connection	As per requirement
Gas Type	LPG / Commercial
Heat Exchange Type	Gas Burners

- 👑 BEST QUALITY / LOW PRICES
- 👑 24 / 7 SUPPORT & SERVICE
- 👑 IMMEDIATELY AVAILABLE FROM STOCK
- 👑 TECHNICAL DEPARTMENT & WARRANTY
- 👑 EXCELLENT CUSTOMER SATISFACTION

Stainless steel construction and chrome finishing



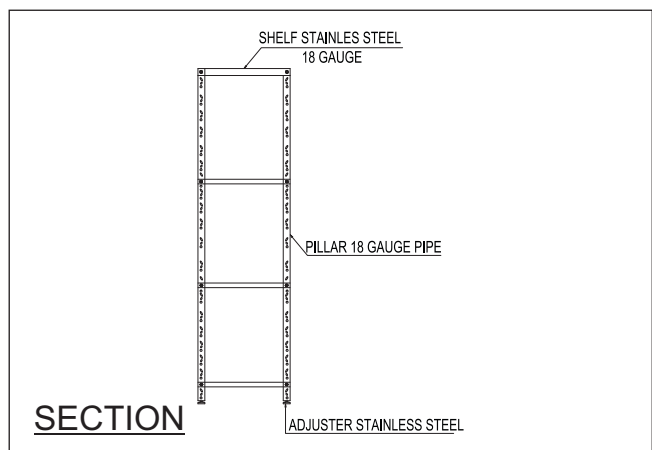
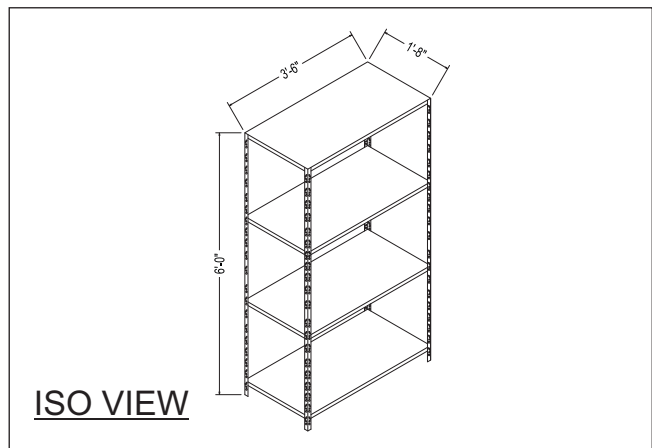
FOUR SHELF RACK



Four Shelf Rack

Four Shelf Rack used in kitchen for storage. You can keep various items. Its completely made of material Stainless steel, so it is easy to clean.

- 1) Material used 201 grade. Thickness material 18 & 20 gauge as per customer requirement.
- 2) Corners are welded and polished nicely, no sharp edges.
- 3) 1" adjustable stainless steel legs ensure that your unit is in level and easy to use.



SPECIFICATIONS

Dimensions (inches) 42x20x72

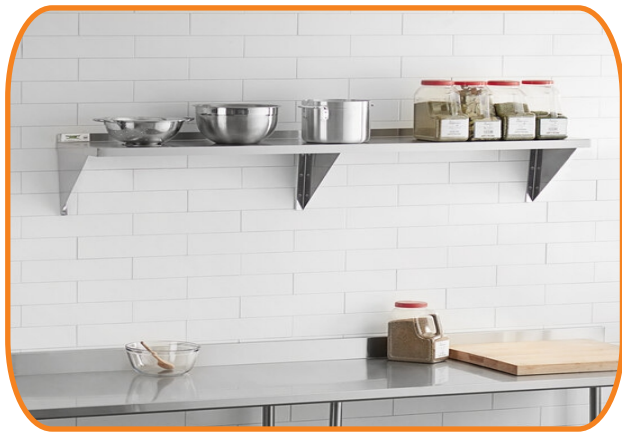
- 👑 BEST QUALITY / LOW PRICES
- 👑 24 / 7 SUPPORT & SERVICE
- 👑 IMMEDIATELY AVAILABLE FROM STOCK
- 👑 TECHNICAL DEPARTMENT & WARRANTY
- 👑 EXCELLENT CUSTOMER SATISFACTION

Stainless steel construction and chrome finishing

55/A Infantry Road, Dharampura, Lahore, Pakistan.



WALL HANGING SHELF



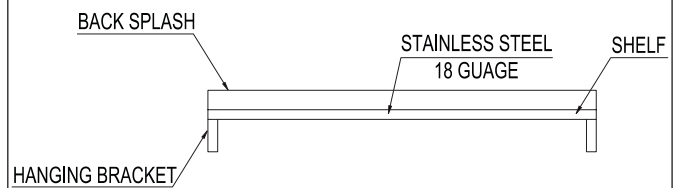
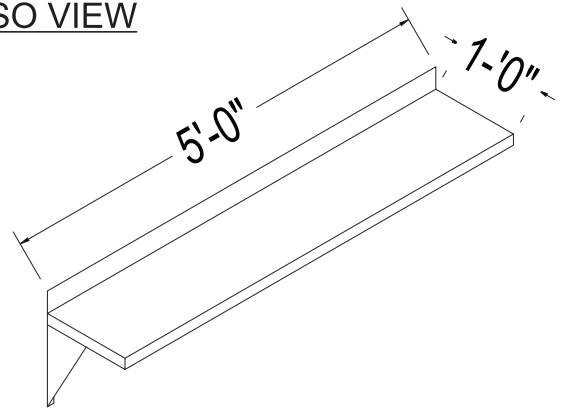
Wall hanging shelf used in kitchen. You can keep spices, dishes or other small items. Using this shelf all your items in yours easy reach. Its completely made of material Stainless steel, so it is easy to clean.

- 1) Material used 201 grade. Thickness material 18 & 22 gauge as per customer requirement.
- 2) Corners are welded and polished nicely, no sharp edges.



WALL HANGING SHELF

ISO VIEW



SECTION

SPECIFICATIONS

Dimensions (inches) 60x12
As per requirement

- 👑 BEST QUALITY / LOW PRICES
- 👑 24 / 7 SUPPORT & SERVICE
- 👑 IMMEDIATELY AVAILABLE FROM STOCK
- 👑 TECHNICAL DEPARTMENT & WARRANTY
- 👑 EXCELLENT CUSTOMER SATISFACTION

Stainless steel construction and chrome finishing

55/A Infantry Road, Dharampura, Lahore, Pakistan.



WALL HANGING CABINET

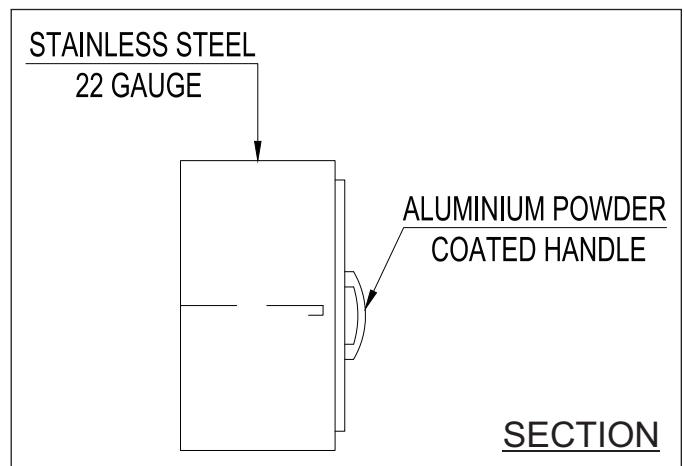
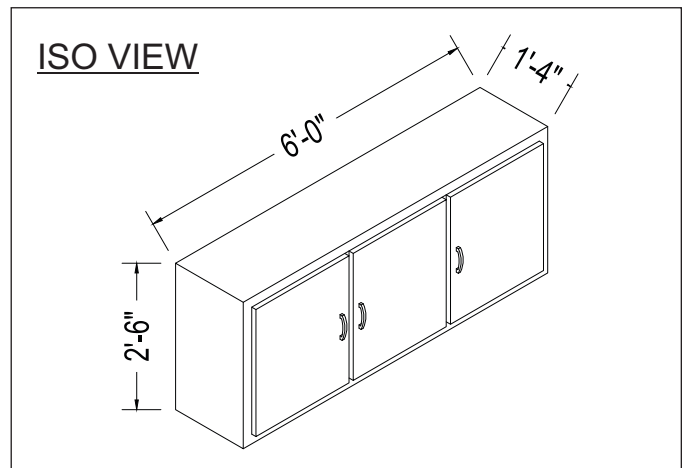


Wall hanging cabinet used in kitchen. You can keep spices, dishes or other small items from cutlery your work space sliding doors, and shelves. Using this cabinet all your items in yours easy reach. Its completely made of material Stainless steel, so it is easy to clean.

- 1) Material used 201 grade. Thickness material 18 & 22 gauge as per customer requirement.
- 2) Corners are welded and polished nicely, no sharp edges.



WALL HANGING CABINET



SPECIFICATIONS

Dimensions (inches) 60x16x30

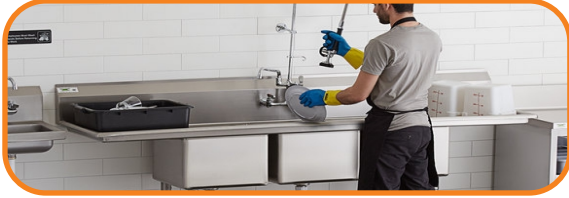
- ✔ BEST QUALITY / LOW PRICES
- ✔ 24 / 7 SUPPORT & SERVICE
- ✔ IMMEDIATELY AVAILABLE FROM STOCK
- ✔ TECHNICAL DEPARTMENT & WARRANTY
- ✔ EXCELLENT CUSTOMER SATISFACTION

Stainless steel construction and chrome finishing

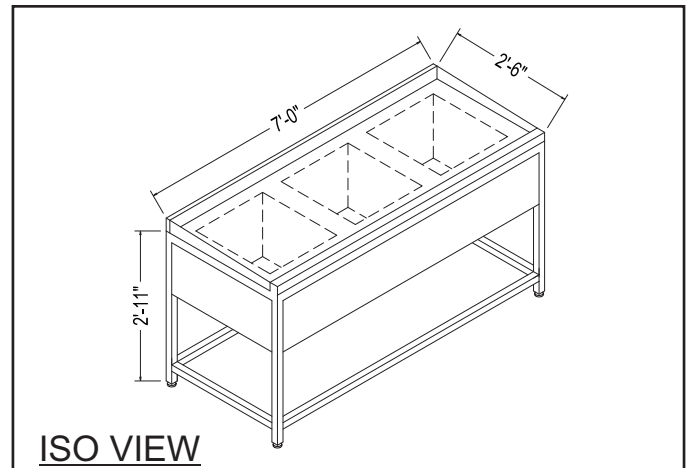
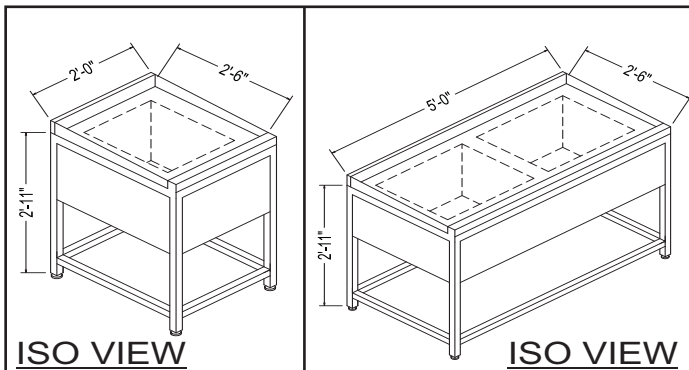
55/A Infantry Road, Dharampura, Lahore, Pakistan.



DISH WASHING SINKS

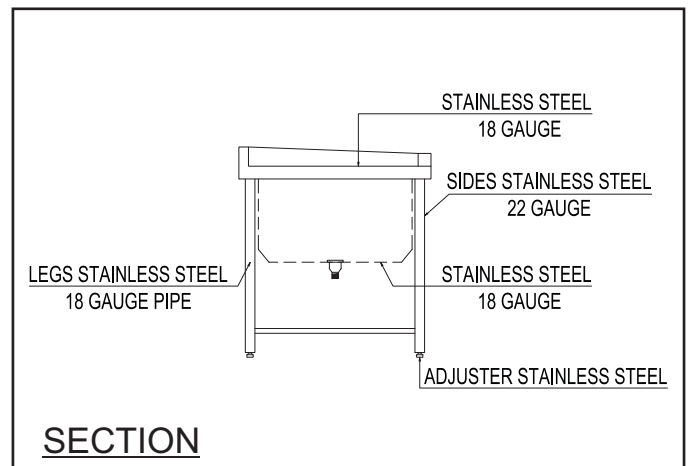


Dish Washing Sinks



Stainless steel Dish Wash Sinks used in kitchen for Meat, Vegetable and Dish washing. We offer this sinks 1, 2, & 3 bowls. It's completely made of material Stainless steel, so it is easy to clean.

- 1) Material used 201 Grade .Thickness material 18 & 22 gauge as per customer requirement.
- 2) Corners are welded and polished nicely, no sharp edges.
- 3) Washing bowl is in round and square shape as per your requirement.
- 4) 1" Stainless steel legs with adjusters ensure that your unit is in level and easy to use.



SPECIFICATIONS

Single Bowl

Dimensions (inches) 24x30x35

Two Bowl

Dimensions (inches) 60x30x35

Three Bowl

Dimensions (inches) 84x30x35

As Per Your Requirement

- 👑 BEST QUALITY / LOW PRICES
- 👑 24 / 7 SUPPORT & SERVICE
- 👑 IMMEDIATELY AVAILABLE FROM STOCK
- 👑 TECHNICAL DEPARTMENT & WARRANTY
- 👑 EXCELLENT CUSTOMER SATISFACTION

Stainless steel construction and chrome finishing

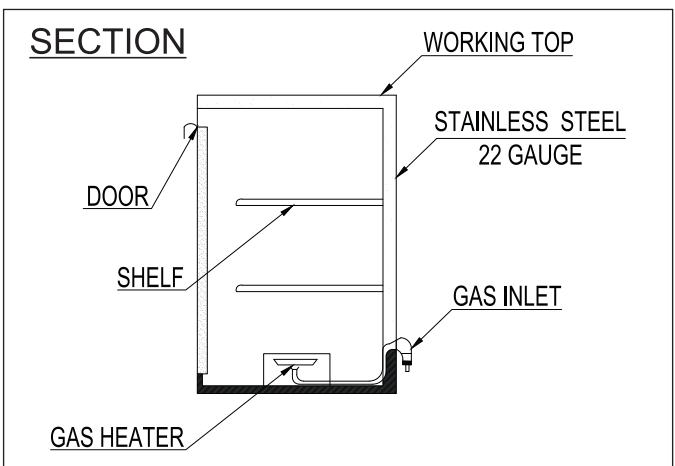
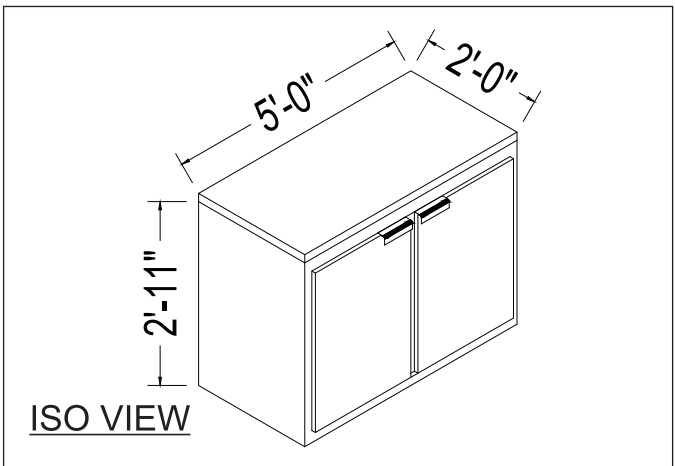
55/A Infantry Road, Dharampura, Lahore, Pakistan.



HOT CASE



HOT CASE



Hot Case works on Gas/ Electric. It Contains 1 & 2 Heaters and Pilot's. This Hot Case is Completely Made of Stainless steel, so it is Easy to Clean.

- 1) Material used 201 Grade. Thickness Material 18, 22 Gauge as per customer Requirement.
- 2) Corners are Welded and Polished Nicely, No Sharp Edges.
- 3) Installed High Pressure Gas Fitting.
- 4) 1" adjustable stainless steel legs ensure that your unit is in level and easy to use.
- 5) Installed Heavy Duty Imported wheel's set as per Customer Requirement.

SPECIFICATIONS

Dimensions (inches)	60x24x35
Gas Connection	As per requirement
Gas Type	LPG / Commercial
Heat Exchange Type	Gas Burners

- 👑 BEST QUALITY / LOW PRICES
- 👑 24 / 7 SUPPORT & SERVICE
- 👑 IMMEDIATELY AVAILABLE FROM STOCK
- 👑 TECHNICAL DEPARTMENT & WARRANTY
- 👑 EXCELLENT CUSTOMER SATISFACTION

Stainless steel construction and chrome finishing



BAR-B Q GRILL



Bar B Q grill for commercial kitchen .Its works on coal. Bar B Q grill used for grilling Chicken, Meat & fish on coal.

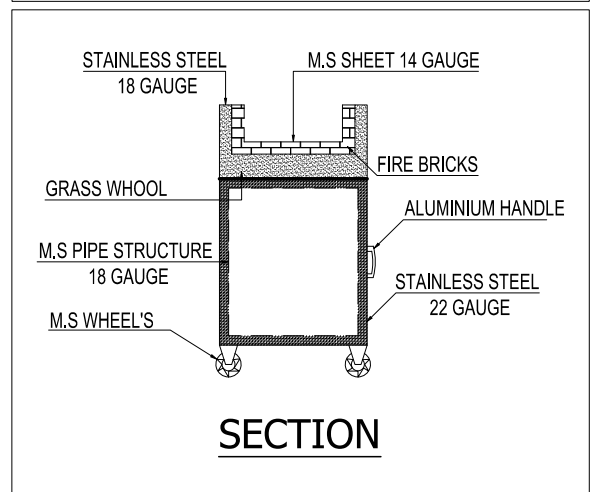
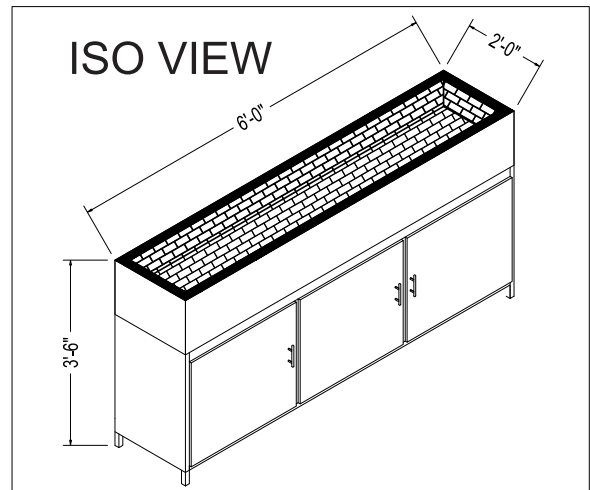
- 1) Material used 201 grade. Thickness material 18 ,16,14 gauge as per customer requirement.
- 2) Pit material used M.S 14 gauge.
- 3) Corners are welded and polished nicely, no sharp edges.
- 4) Whole pit insulated with fire bricks and grass wool.
- 5) Installed heavy duty wheel set.
- 6) 1" adjustable stainless steel legs ensure that your unit is level and allow you to easily to use and clean underneath for a safe and sanitary kitchen as per customer requirement.



Bar B/Q Grill



Table Top



SPECIFICATIONS

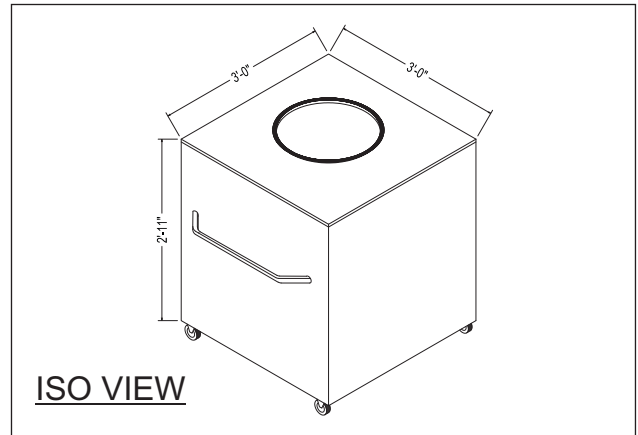
Dimensions(inches) 72x24x42
As per your requirement
Gas Type Coal

- 👑 BEST QUALITY / LOW PRICES
- 👑 24 / 7 SUPPORT & SERVICE
- 👑 IMMEDIATELY AVAILABLE FROM STOCK
- 👑 TECHNICAL DEPARTMENT & WARRANTY
- 👑 EXCELLENT CUSTOMER SATISFACTION

Stainless steel construction and chrome finishing

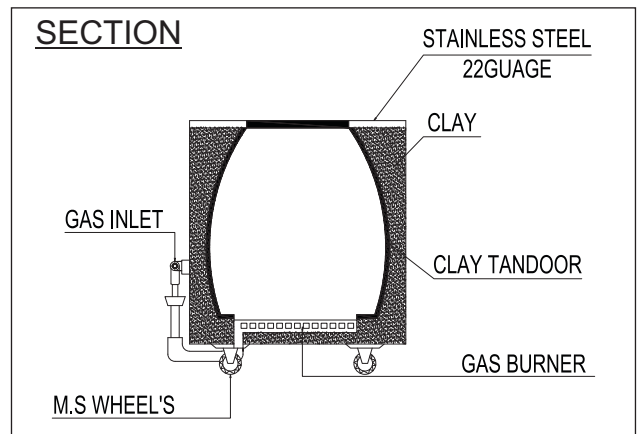
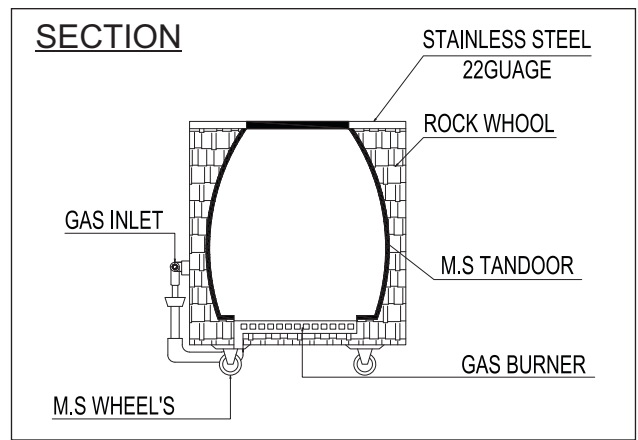


PORTABLE TANDOOR



Portable Tandoor works on Gas. It contains Heavy Duty Burner. Portable Tandoor is perfect for outdoor. Body material Stainless steel. Inner material MS steel, so it is easy to clean.

- 1) Material used 201 grade MS. Thickness material 18 & 22 gauge as per customer requirement.
- 2) Tandoor base material thickness 6mm magnetic steel.
- 3) Corners are welded and polished nicely, no sharp edges.
- 4) Completely pit insulated with grass wool.
- 5) Installed high pressure Gas fitting.
- 6) Installed heavy duty MS wheel's set.



SPECIFICATIONS

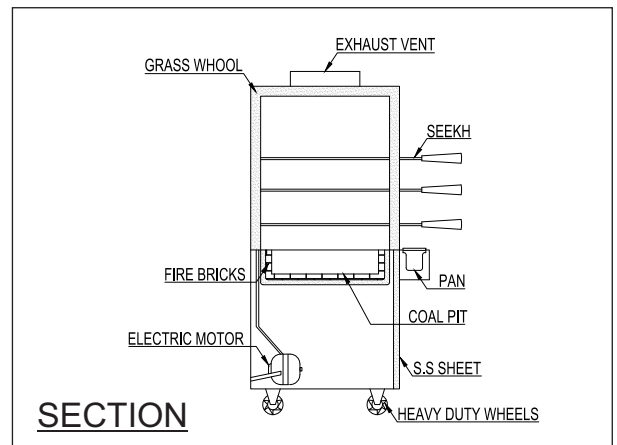
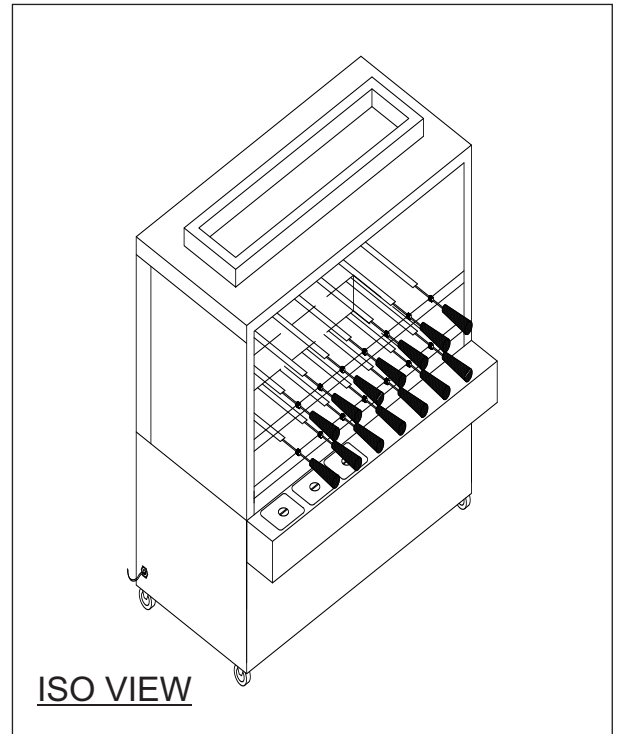
Dimensions (inches)	36x36x35
Gas Connection	As per requirement
Gas Type	LPG / Commercial
Heat Exchange Type	Gas Burners

- 👑 BEST QUALITY / LOW PRICES
- 👑 24 / 7 SUPPORT & SERVICE
- 👑 IMMEDIATELY AVAILABLE FROM STOCK
- 👑 TECHNICAL DEPARTMENT & WARRANTY
- 👑 EXCELLENT CUSTOMER SATISFACTION

Stainless steel construction and chrome finishing



BRAZILIAN BARBECUE GRILL



Brazilian Bar B Q grill for commercial kitchen .Its works on coal. Brazilian Bar B Q grill used for grilling Chicken, Meat & fish on coal. Three phase motor installed for rotate steel rods.

- 1) Material used 201 grade. Thickness material 18 ,16,14 gauge as per customer requirement.
- 2) Pit material used M.S 14 gauge.
- 3) Corners are welded and polished nicely, no sharp edges.
- 4) Whole pit insulated with fire bricks and grass wool.
- 5) Installed heavy duty wheel set.

SPECIFICATIONS

Dimensions (inches)	72x36x84
Power	Electric
Motor	3 Phase
Voltage	220 / 240v
Gas Type	Coal

- 👑 BEST QUALITY / LOW PRICES
- 👑 24 / 7 SUPPORT & SERVICE
- 👑 IMMEDIATELY AVAILABLE FROM STOCK
- 👑 TECHNICAL DEPARTMENT & WARRANTY
- 👑 EXCELLENT CUSTOMER SATISFACTION

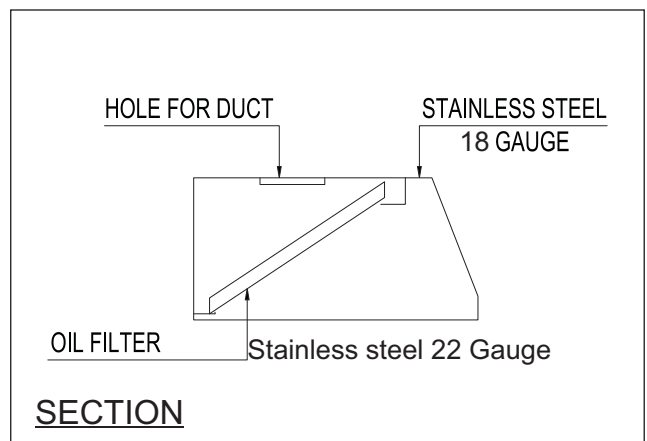
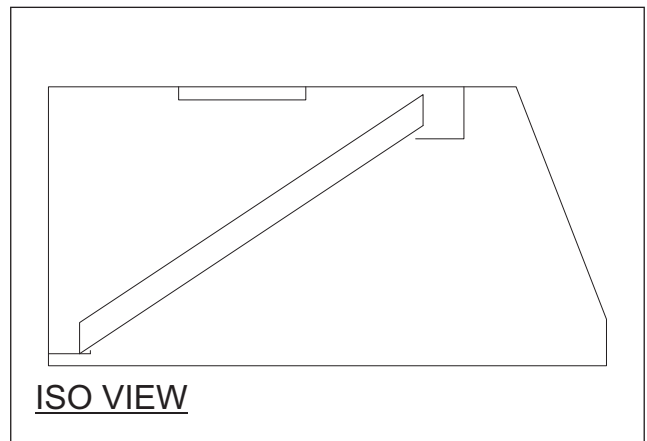
Stainless steel construction and chrome finishing



EXHAUSTING HOOD



EXHAUSTING HOOD



Exhausting hood is completely made of Non Magnetic steel, so it is easy to clean.

- 1) Material used 201 grade. Thickness material 18 & 20 gauge as per customer requirement.
- 2) Corners are welded and polished nicely, no sharp edges.

SPECIFICATIONS

As per requirement

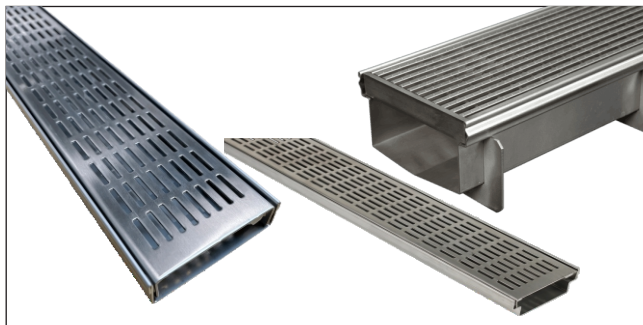
- 👑 BEST QUALITY / LOW PRICES
- 👑 24 / 7 SUPPORT & SERVICE
- 👑 IMMEDIATELY AVAILABLE FROM STOCK
- 👑 TECHNICAL DEPARTMENT & WARRANTY
- 👑 EXCELLENT CUSTOMER SATISFACTION

Stainless steel construction and chrome finishing

55/A Infantry Road, Dharampura, Lahore, Pakistan.

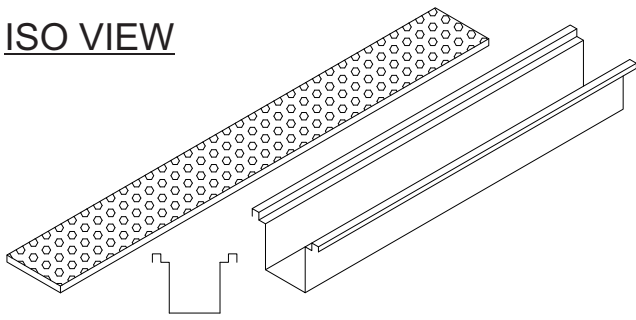


FLOOR DRAIN GRILL GREASE TRAP

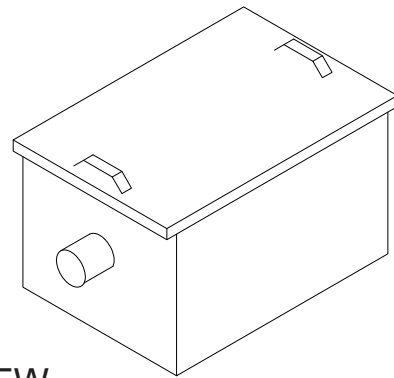


GREASE TRAP

ISO VIEW



ISO VIEW

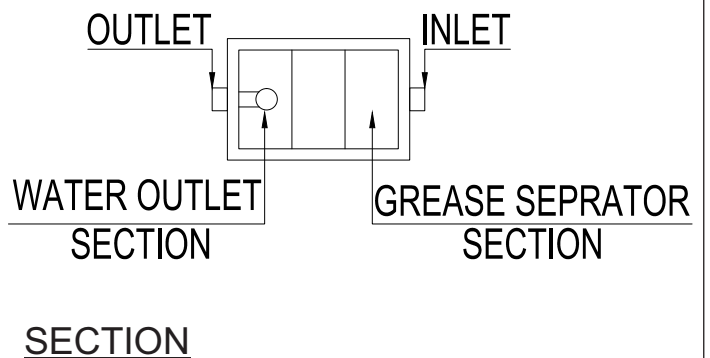


Every commercial kitchen is required to operate and maintain a floor drain & grease trap in order to prevent sewerage blockages. Grease traps primarily deal with fats, oils, and greases (FOG) that are produced during cooking, baking, frying, dish washing, or any other culinary operations.

- 1) Material used stainless steel. Thickness material 16 & 18 gauge as per customer requirement.
- 2) Corners are welded and polished nicely, no sharp edges.

SPECIFICATIONS

24x16x12



- 👑 BEST QUALITY / LOW PRICES
- 👑 24 / 7 SUPPORT & SERVICE
- 👑 IMMEDIATELY AVAILABLE FROM STOCK
- 👑 TECHNICAL DEPARTMENT & WARRANTY
- 👑 EXCELLENT CUSTOMER SATISFACTION

Stainless steel construction and chrome finishing

55/A Infantry Road, Dharampura, Lahore, Pakistan.

IMPORTED ITEMS



South Star Pizza Oven



Pizza Dough Proofer



Dough Mixer Machine



Bread Cutter



Display Chiller



Cake Display Chiller



Coffee Machine



Coffee Beans Grinder



Blender Machine



Sound Proof Blender



Bun Toaster



Panini Grill



Cone Waffle Machine



Noodle Machine



Vegetable Cutting Machine



Ice Crusher



Meat Mincer Machine



Bone Saw Machine



Plate Warmer

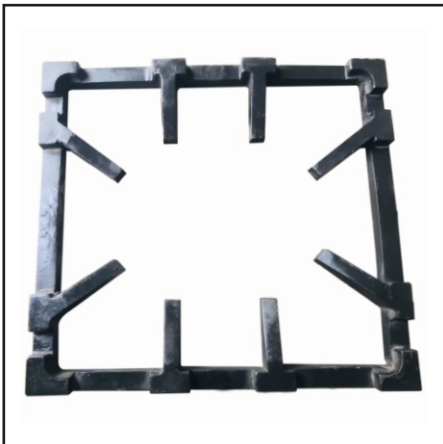


Fresher Unit

AS PER CUSTOMER REQUIREMENT









**If You find your
Fabrication Cheaper
To The Same Spec Elsewhere,
We'll Beat The Price!**



Tel: +92-42-37174570
Cell: +92-322-4825408
+92-324-4212250
+92-322-4248136
+92-301-4483011
+92-333-4251107

55-A, Infantry road, Dharampura, Lahore, Pakistan.
Website: www.kbekitchen.com
E.mail: info@kbekitchen.com